

# V-1094A PAGE PORT PREAMP/EXPANDER

## INTRODUCTION

These instructions contain the specifications and information necessary to install, operate and maintain the V-1094A Page Port Preamp/Expander.

## SPECIFICATIONS

### Design

The Valcom V-1094A Page Port Preamp/ Expander is a solid-state audio preamplifier. The unit comes with its own surface mount box, which provides ½ inch conduit access. The amplifier will accept a high impedance input (600 Ohms) and reduce it to a low impedance output. When the control knob is set on 5, the input signal level equals the output signal level. The V-1094A is capable of driving 150 Valcom one-way speaker/amplifier assemblies.

### Applications

- To interface 600 Ohm type page ports to up to 150 Valcom amplified speakers
- To expand the number of Valcom amplified speakers on a zone by 150
- To pre-amp audio signal on long lines to Valcom amplified speakers
- To provide master volume control convenience to all or a portion of a paging zone

### Dimensions/Weight

- 4.44"H x 2.75"W x 2.88"D  
(11.28cm H x 6.99cm W x 7.32cm D)
- 0.9 lbs. (0.41 kg)

### Power Requirements

Voltage Range: -21 to -26VDC "B" Battery  
 Idle Current: 12mA  
 Operating Current: 15mA

### Nominal Specifications

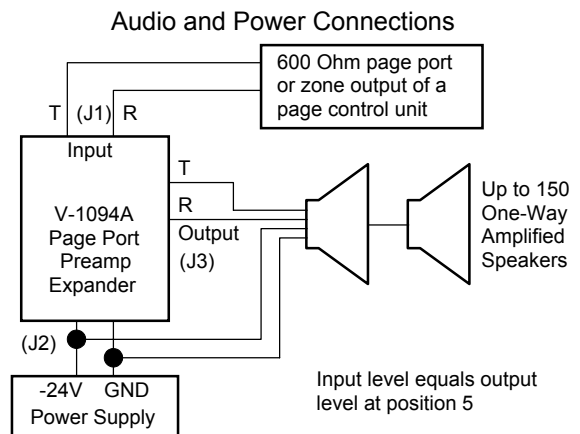
Input Impedance: 600 Ohms  
 Output Impedance: 8 Ohms



Frequency Response: 80Hz to 10kHz +/- 3dB  
 Gain (into 8 Ohm load): +8dB maximum

## INSTALLATION

These instructions cover only the installation of the Valcom V-1094A. Consult the practices of other equipment if any other equipment is used.



Refer to the figure above for connections. Cabling "D" type station wire or other suitable pairs may be used for audio and power connections.

- a. Connect page port preamp/expander input leads to desired zone output leads from a page control or page port.
- b. Connect page port preamp/expander output leads to speakers.
- c. Connect Valcom V-1094A terminals labeled ground and -24VDC to ground and -24VDC signal battery respectively.

**NOTE:** *Filtered talk battery may be substituted for signal battery.*

**Mounting**

**Surface Mounting** - Install romex connector and 2" closure plugs in required access holes on supplied single gang weather-resistant electrical box. Attach mounting lugs to the box with the two screws provided. Mount the box to suitable surface with appropriate hardware. Feed audio/power cable through access hole in installed surface mount electrical box. After making required cable connections, install faceplate to box with screws provided.

**Flush Mounting** - Feed audio/power cable through access hole in an installed single gang electrical workbox. After making connections, install faceplate to box using the screws provided.

**TECHNICAL ASSISTANCE**

When trouble is reported, verify the unit is turned on and there are no broken connections leading to this unit. Assistance in troubleshooting is available from the factory. When calling, you should have a VOM available and be calling from the job site. Call (540) 563-2000 for Technical Support or call (540) 767-1555 for Valcom 24-hour Faxback System or visit our website at <http://www.valcom.com>.

Valcom equipment is not field repairable. Valcom, Inc. maintains service facilities in Roanoke, VA. Should repairs be necessary, attach a tag to the unit clearly stating your company name, address, phone number, contact person and the nature of the problem. Send the unit to:

**Valcom, Inc.**  
**Repair and Return Dept.**  
**5614 Hollins Road**  
**Roanoke, VA 24019-5056**

<b>TROUBLESHOOTING CHART</b>			
<b>PROBLEM</b>	<b>POSSIBLE CAUSES</b>	<b>VERIFICATIONS</b>	<b>POSSIBLE SOLUTIONS</b>
No audio output to added speaker	No signal battery	No signal voltage meter reading at V-1094A terminals	Replace fuse or power supply.
	Open input path	Place handset across input terminals - No audio input	Check cabling and cross-connections
	Open output path	Place 8 Ohm speaker across output terminals - No audio output	Check cabling and cross-connections

**VALCOM LIMITED WARRANTY**

Valcom, Inc. warrants its products to be free from defects in materials and workmanship under conditions of normal use and service for a period of one year from the date of shipment. The obligation under this warranty shall be limited to the replacement, repair or refund of any such defective device within the warranty period, provided that:

1. inspection by Valcom, Inc. indicates the validity of the claim;
2. the defect is not the result of damage, misuse or negligence after the original shipment;
3. the product has not been altered in any way or repaired by others and that factory sealed units are unopened (a service charge plus parts and labor will be applied to units defaced or physically damaged);
4. freight charges for the return of products to Valcom are prepaid;
5. all units 'out of warranty' are subject to a service charge. The service charge will cover minor repairs (major repairs will be subject to additional charges for parts and labor).

**This warranty is in lieu of and excludes all other warranties, expressed or implied, and in no event shall Valcom, Inc. be liable for any anticipated profits, consequential damages, loss of time or other losses incurred by the buyer in connection with the purchase, operation, or use of the product.**

This warranty specifically excludes damage incurred in shipment. In the event a product is received in damaged condition, the carrier should be notified immediately. Claims for such damage should be filed with the carrier involved in accordance with the F.O.B. point.

Headquarters: Valcom, Inc. 5614 Hollins Road Roanoke, VA 24019-5056 Phone: (540) 563-2000 FAX: (540) 362-9800	In Canada CMX Corporation 35 Van Kirk Drive #11 and 12 Brampton, Ontario L7A 1A5 Phone: (905) 456-1072 FAX: (905) 456-2269
--	---