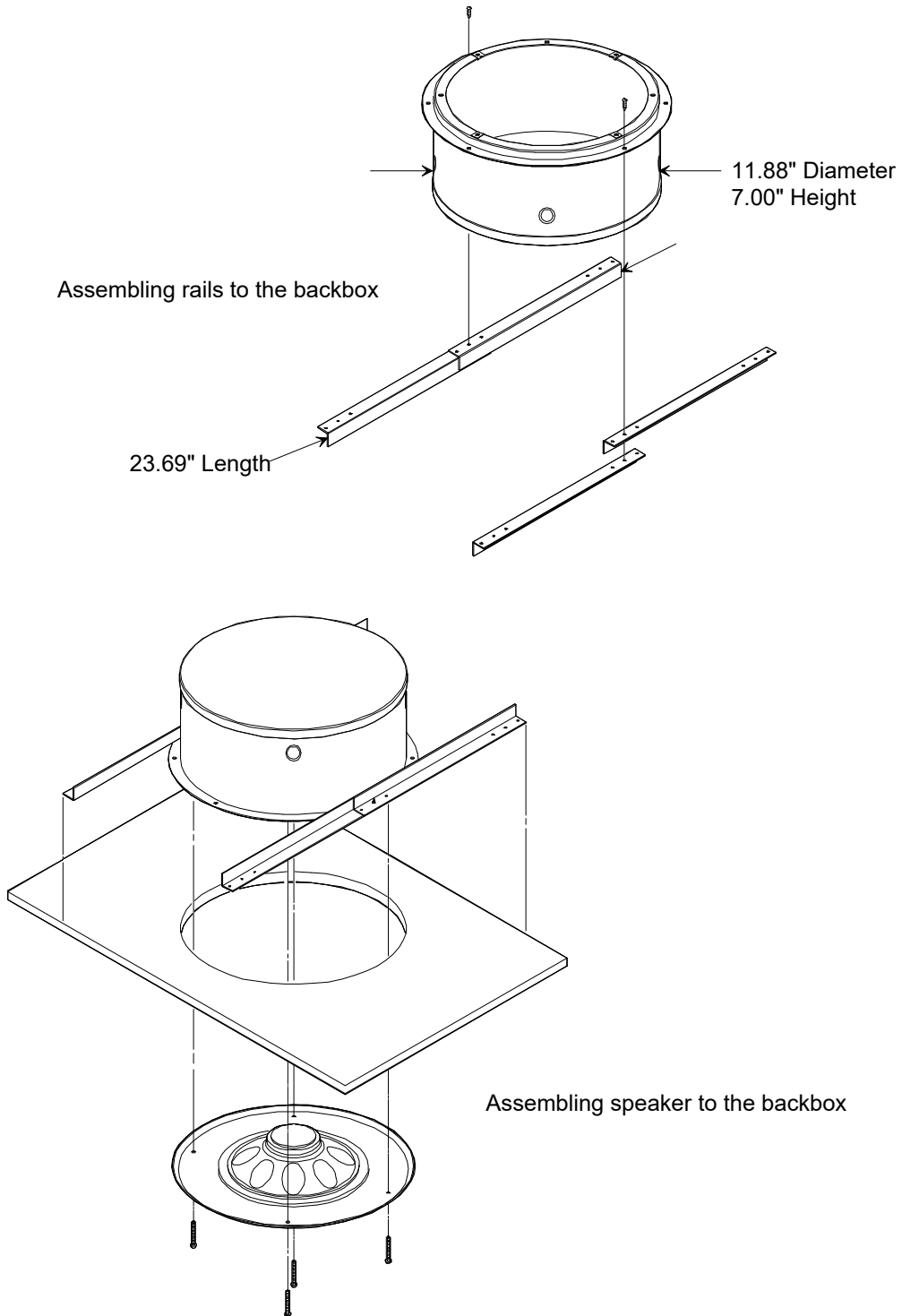


# V-9816M SPEAKER MOUNTING ENCLOSURE



## ***TECHNICAL ASSISTANCE***

Assistance is available from the factory when problems are encountered. Call (540) 563-2000 and press 1 for Technical Support or visit our website at <http://www.valcom.com>.

Valcom equipment is not field repairable. Valcom, Inc. maintains service facilities in Roanoke, VA. Should repairs be necessary attach a tag to the unit clearly stating company name, address, phone number, contact person and the nature of the problem. Send the unit to:

**Valcom, Inc.  
Repair and Return Dept.  
5614 Hollins Road  
Roanoke, VA 24019-5056**

## **WARRANTY**

Warranty information may be found on our website at [www.valcom.com/warranty](http://www.valcom.com/warranty).