

V-9912M-10 Speaker Support Ring Metal

(FOR ROUND 8-INCH SPEAKER ASSEMBLIES IN NEW CONSTRUCTION
(SHEETROCK/DRYWALL))

Installation Instructions

The V-9912M-10 metal ring can be used in new construction gypsum (sheetrock/drywall) ceilings with 16 inch or 24 inch support structure. This product must be ordered in multiples of 10.

BACKBOX APPLICATIONS:

Bend up four horseshoe tabs on metal ring and place through slots in the V9915M-5 backbox as shown in Figure "A".

Secure backbox to metal ring by twisting horseshoe tabs with pliers.

The ring can also be mounted to the V-9816M backbox. Secure backbox to the ring with four 8-32 x 1/2" screws (not included). The metal rails of the V-9816M are not used.

16 INCH STRUCTURES:

Loosely attach to bottom of joists.

Slide along adjustment slots to desired location and secure mounting hardware to joists.

Discard extension brackets and supplied hardware. (The provided hardware is not intended for attaching metal ring to support structure).

24 INCH STRUCTURES WITH PLACEMENT NEAR CENTER OF 24 INCHES:

Loosely attach extension brackets to metal ring with provided hardware as shown in Figure "B".

Loosely attach to bottom of joists.

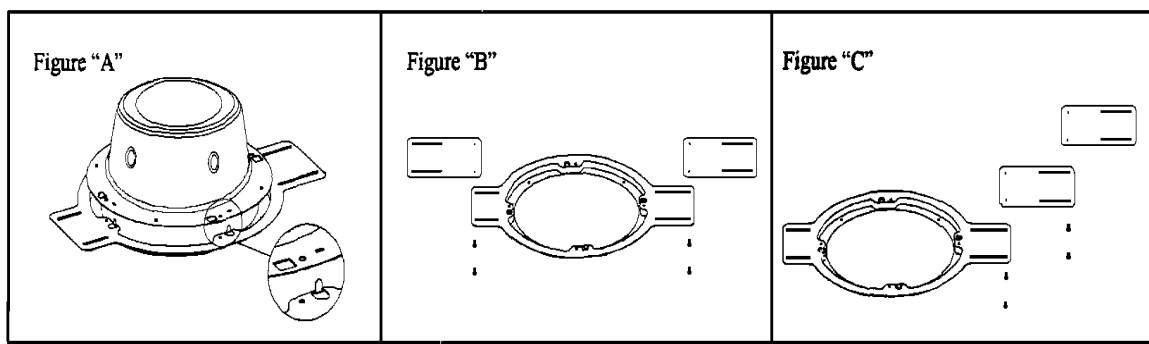
Slide along adjustment slots to desired location and secure extension brackets and mounting hardware to joists.

24 INCH STRUCTURES WITH PLACEMENT NEAR EDGE OF 24 INCHES:

Loosely attach extension brackets to metal ring with provided hardware as shown in Figure "C".

Loosely attach to bottom of joists.

Slide along adjustment slots to desired location and secure extension brackets and mounting hardware to joists.



V-9912M-10 Speaker Support Ring Metal

(FOR ROUND 8-INCH SPEAKER ASSEMBLIES IN EXISTING CONSTRUCTION
(SHEETROCK/DRYWALL))

Installation Instructions

The V-9912M-10 metal ring can be used in existing construction gypsum (sheetrock/drywall) ceilings with a slight modification. This product must be ordered in multiples of 10.

WITHOUT BACKBOX APPLICATIONS: (Verify depth of speaker and ring assembly for installation clearance above ceiling)

Cut a 12 inch diameter hole in the ceiling. Cut a slot completely through one side of the Speaker Support Ring using a metal cutting tool such that it may be maneuvered up through the hole to rest above the ceiling. Be careful of sharp metal edges. Bend wings of speaker support ring upward to be used for additional speaker support attachment brackets where required. Make required wiring connections to speaker. Attach the speaker grille with the hardware provided with the speaker assembly to the threaded screw holes on the metal speaker support ring. Discard unused extension brackets and supplied hardware appropriately.

BACKBOX APPLICATIONS: (Backbox requires additional clearance above ceiling for installation)

Cut a 12 inch diameter hole in the ceiling using the edge of the V-9915M-5 metal backbox as a template. Prepare the backbox for installation by attaching securing brackets through the slots in the rim of the backbox and preparing knockout(s) with the appropriate hardware (grommets, flexible conduit connector etc.) for wiring access. Maneuver the backbox through the hole and rest above the ceiling to the side of the hole. Bend up the four horseshoe tabs on the Speaker Support Ring for attachment of the backbox (see Figure "D"). Cut a slot completely through one side of the Speaker Support Ring using a metal cutting tool such that it may be maneuvered up through the hole to rest above the ceiling (see Figure "E"). Be careful of sharp metal edges. Slide the ring above the ceiling to the side of the hole for better access to attach the backbox to the ring using the horseshoe tabs through slots in the rim of the backbox. Attach any required additional support wiring to the backbox securing brackets and provide speaker connection wiring through knockout(s). Position the assembly over the ceiling hole. Make required wiring connections to speaker. Attach the speaker grille with the hardware provided with the speaker assembly through the unthreaded holes on the metal speaker support ring that are next to the horseshoe tabs and through the j-nuts on the metal backbox. Discard unused extension brackets and supplied hardware appropriately.

