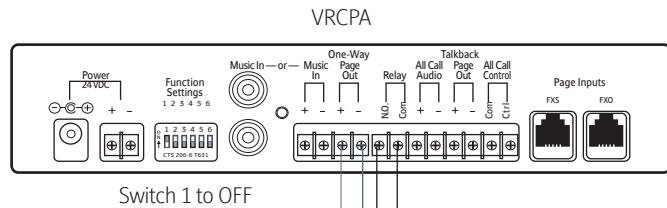
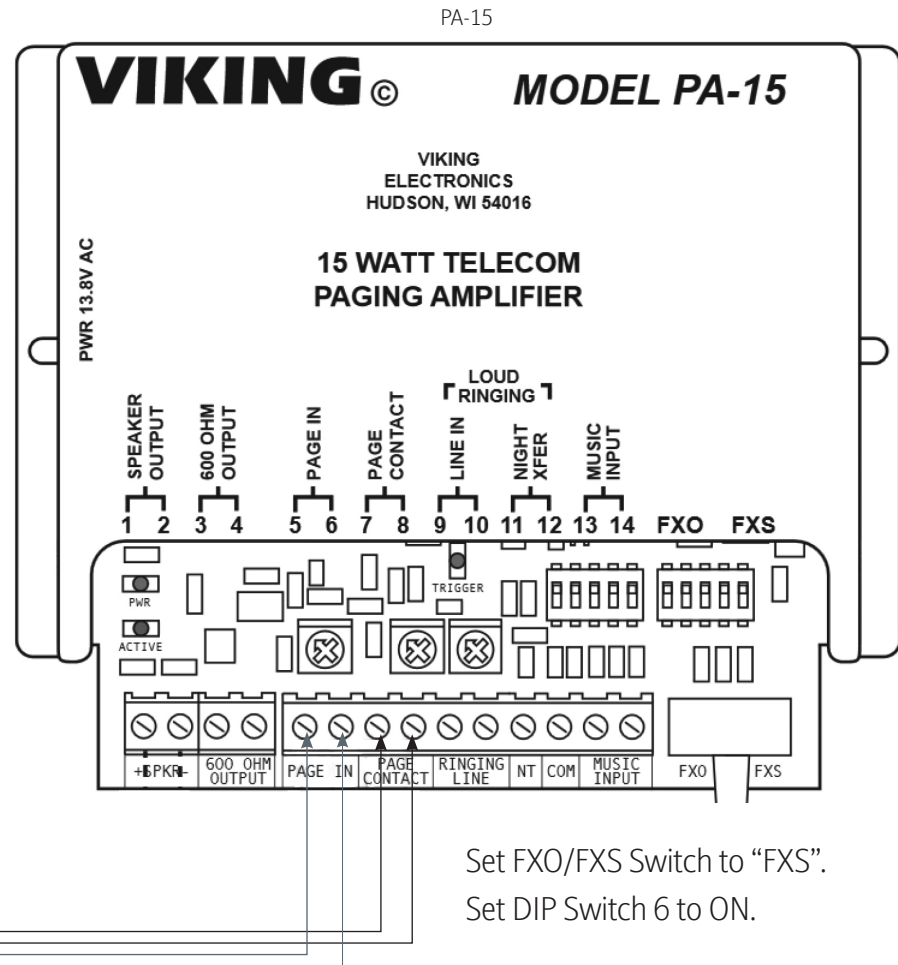


Valcom VRCPA Connection Guide with Viking PA-15



Switch 1 to OFF



Set FXO/FXS Switch to "FXS".
Set DIP Switch 6 to ON.