

VIP-142-SA Revolution® Compliant High Power IP Talkback Paging Horn

INTRODUCTION

The VIP-142-SA IP Paging Horn is a weather-resistant, high-efficiency horn supporting multiple audio and control protocols, all delivered via a PoE-enabled IP network. A separate microphone facilitates full-duplex talkback communication. The high-impact Polycarbonate construction resists the deteriorating effects of outdoor installation.



SPECIFICATIONS

Access Methods

- Intrado Revolution system
- SIP telephone system
- Valcom M Cast Page Group
- PBX, FXO Port w/VIP-811A
- POTS telephone set w/VIP-811A
- PBX, FXS Port w/VIP-821A

Features

- Indoor / Outdoor use
- High Impact Polycarbonate Housing
- Omni-Directional Mounting Base
- Built-in Microphone
- SIP & Multicast Enabled
- Power over Ethernet (PoE) 802.3af and 802.3at (PoE+) compatible
- Remote Management & Monitoring

Dimensions / Weight

- 11.75" H x 10.0" W x 11.0" D (29.8cm H x 25.4cm W x 27.9cm D)
- 4.3 lbs. (1.95 kg)

Audio Codecs

- G.722, G.711 (uLaw, aLaw)

Frequency Response

- 350 Hz to 7kHz

Audio Dispersion

- 120° Horizontal
- 90° Vertical

Nominal Power Requirements

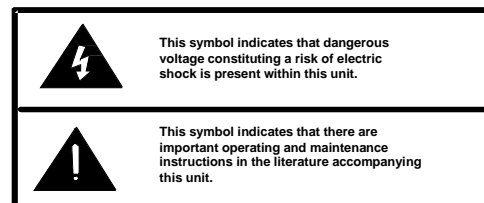
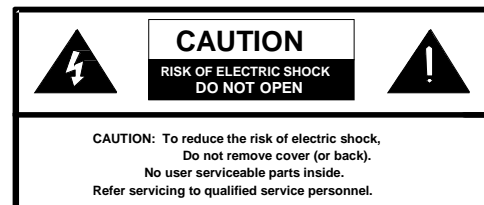
IEEE 802.3af (PoE) Class 3
IEEE 802.3at (PoE+) Class 4

These products are intended for use with a UL Listed power source marked "Class 2" or "LPS" rated 24 Vdc, or 48 Vdc (PoE).

PoE and all interconnected ITE are intended for intra-building.

Environment

Temperature: - 20° to +50° C
Humidity: 0 - 95% non-condensing




FCC Information

This equipment has been tested and found to comply with the limits for a Class A digital device, pursuant to Part 15 of the FCC Rules. These limits are designed to provide reasonable protection against harmful interference when the equipment is operated in a commercial environment. This equipment generates, uses and can radiate radio frequency energy and if not installed and used in accordance with the instruction manual, may cause harmful interference to radio communications. Operation of this equipment in a residential area may cause harmful interference in which case the user will be required to correct the interference at one's own expense.

IMPORTANT SAFETY INFORMATION

CONSIGNES DE SÉCURITÉ IMPORTANTES

1. Read these instructions.
Lisez ces instructions.
2. Keep these instructions.
Conservez ces instructions.
3. Heed all warnings.
Respectez tous les avertissements.
4. Follow all instructions.
Suivez toutes les instructions.
5. Do not use this apparatus near water.
Ne pas utiliser cet appareil près de l'eau.
6. Clean only with dry cloth.
Nettoyer avec un chiffon sec.
7. Do not block any ventilation openings. Install in accordance with the manufacturer's instructions.
Ne pas bloquer les ouvertures de ventilation. Installer conformément aux instructions du fabricant.
8. Do not install near any heat sources such as radiators, heat registers, stoves or other apparatus (including amplifiers) that produce heat.
Ne pas installer à proximité de sources de chaleur telles que radiateurs, registres de chaleur, poêles ou autres appareils (y compris les amplificateurs) produisant de la chaleur.
9. Do not defeat the safety purpose of the polarized or grounding-type plug. A polarized plug has two blades with one wider than the other. A grounding type plug has two blades and a third grounding prong. The wide blade and the third prong are provided for your safety. If the provided plug does not fit into your outlet consult an electrician for replacement of the obsolete outlet.
Ne pas contourner le dispositif de sécurité de la fiche polarisée ou de mise à la terre. Une fiche polarisée possède deux lames dont une plus large que l'autre. Une fiche de terre a deux lames et une troisième broche de mise à la terre. La lame large et la troisième broche sont fournies pour votre sécurité. Si la fiche fournie ne rentre pas dans votre prise, veuillez consulter un électricien pour le remplacement de la prise obsolète.
10. Protect the power cord from being walked on or pinched particularly at plugs, convenience receptacles and the point where they exit from the apparatus.
11. Only use attachments/accessories specified by the manufacturer.
N'utilisez que des fixations / accessoires spécifiés par le fabricant
12. Use only with the cart, stand, tripod, bracket or table specified by the manufacturer or sold with the apparatus. When a cart is used, use caution when moving the cart/apparatus combination to avoid injury from tip-over.

Utilisez uniquement avec le chariot, stand, trépied, support ou table spécifié par le fabricant ou vendu avec l'appareil. Quand un chariot est utilisé, Soyez prudent lorsque vous déplacez l'ensemble chariot / appareil pour éviter des blessures dues au renversement.
13. Unplug this apparatus during lightning storms or when unused for a long period of time.
Débranchez cet appareil pendant les orages ou lorsqu'il n'est pas utilisé pendant une longue période de temps.
14. Refer all servicing to qualified service personnel. Servicing is required when the apparatus has been damaged in any way. Such as when the power supply cord or plug is damaged, liquid has been spilled, objects have fallen into the apparatus or the apparatus has been exposed to rain or moisture and does not operate normally or has been dropped.
Confiez toute réparation à un personnel qualifié. Une réparation est nécessaire lorsque l'appareil a été endommagé de quelque façon. Par exemple lorsque le cordon d'alimentation ou la fiche est endommagé, du liquide a été renversé, si des objets sont tombés dans l'appareil ou le appareil a été exposé à la pluie ou à l'humidité et ne fonctionne pas normalement ou s'il est tombé.

INSTALLATION

Mounting

The VIP-142 is shipped with the mounting base attached to the horn with screws. Remove the screws and save them for reassembly. Pull the metal base away from the horn to separate them. The base can be mounted to a single-gang or double-gang electrical box, directly to a surface (wall) or clamped to a structural I-beam. When mounting vertically, note the "UP" indicator on the base to orient it correctly. The horn is mounted to the base after the base is properly secured. Gaskets and grommets are provided to enhance weather resistance.

Wall or Surface Mounting

Install the network ethernet cabling to the mounting location. If using the call switch input and/or relay output of the VIP-142, install the cabling for those connections. Route the cables through the large gasket (if used) and then through the back of the mounting base. Install a split grommet around the ethernet cable and call switch/relay wiring and press into the mounting base holes. If not using the call switch/relay wiring, use the solid grommet plug to fill the extra hole. See Figures 1 and 2.

If using the relay or call switch, make wiring connections to the screw terminals on the mounting base. The terminals are labeled for the Relay Normally Open (NO) and Common (COM) and the Call Switch In and Ground.

For mounting to an electrical box, use the four #6-32 screws (included) to attach the mounting base to the box, as shown in Figure 3.

For mounting to a solid surface, such as a wall, use appropriate hardware to attach the mounting bracket to the surface. See Figure 4.

I-Beam Mounting

A C Clamp is provided for mounting to the flange of an I-Beam. Attach the C Clamp to the metal mounting base using the ¼-20 x 3/8" machine screw through the hole in the center of the base. Install network ethernet cabling and call switch/relay connections as noted in the Wall or Surface Mounting instructions above. Attach the base to the I-Beam by sliding the C Clamp over the I-Beam flange and tightening the screw securely. See Figure 5. If not using the C Clamp, a rubber plug is provided to fill the hole in the base.

With the mounting base securely installed, the IP Horn can be attached to the base. Note the socketed connectors on the horn and base, and make sure they line up properly before pressing the two together. Use the four #8-32 x 1 ¼" screws to attach the horn to the mounting base.

Reset Modes

Resetting the horn programming to Factory Defaults can be performed by connecting/disconnecting the PoE connection (power) in a specific sequence.

Connect the network cable (PoE) and let the VIP-142 begin to boot up. After 45 seconds, disconnect the ethernet cable. Repeat this action 9 more times, for a total of 10 starts. On the next boot up, the VIP-142 will reset all configuration items (including the password) to factory default settings.

Setup

The VIP-142-SA will automatically acquire an IP address (using DHCP) and connect to the Revolution server when connected to the network and powered up. Information specific to your application will need to be programmed in the Revolution server. Refer to the Revolution documentation for details. The VIP-142-SA may require additional programming, which can

be performed using the Valcom IP Solutions Setup Tool. Download the latest version of the free IP Solutions Setup Tool from the Valcom website at www.valcom.com/vipsetuptool.

TECHNICAL ASSISTANCE

Assistance is available from the factory when problems are encountered. Call (540) 563-2000 and press 1 for Technical Support or visit our website at <http://www.valcom.com>

Valcom, Inc. equipment is not field repairable. Valcom maintains service facilities in Roanoke, VA.

Should repairs be necessary, attach a tag to the unit clearly stating company name, address, phone number, contact person, and the nature of the problem.

Send the unit to:

Valcom, Inc.
Repair and Return Dept.
5614 Hollins Road
Roanoke, VA 24019-5056

WARRANTY

Warranty information may be found on our website at www.valcom.com/warranty.

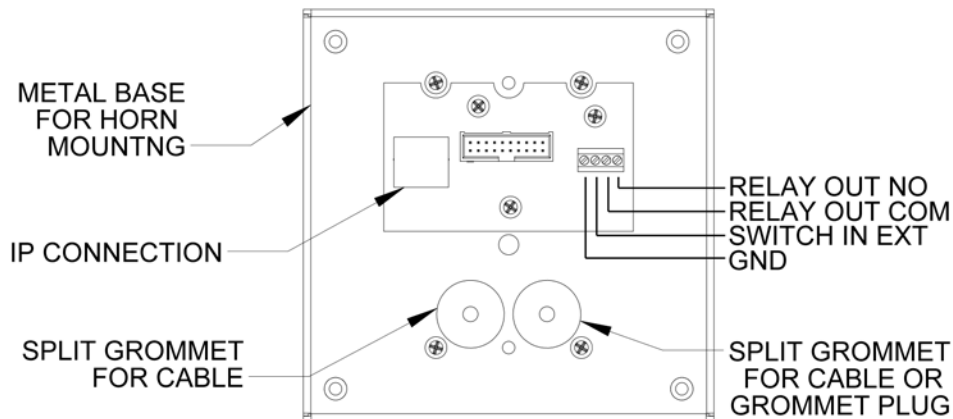


Figure 1.

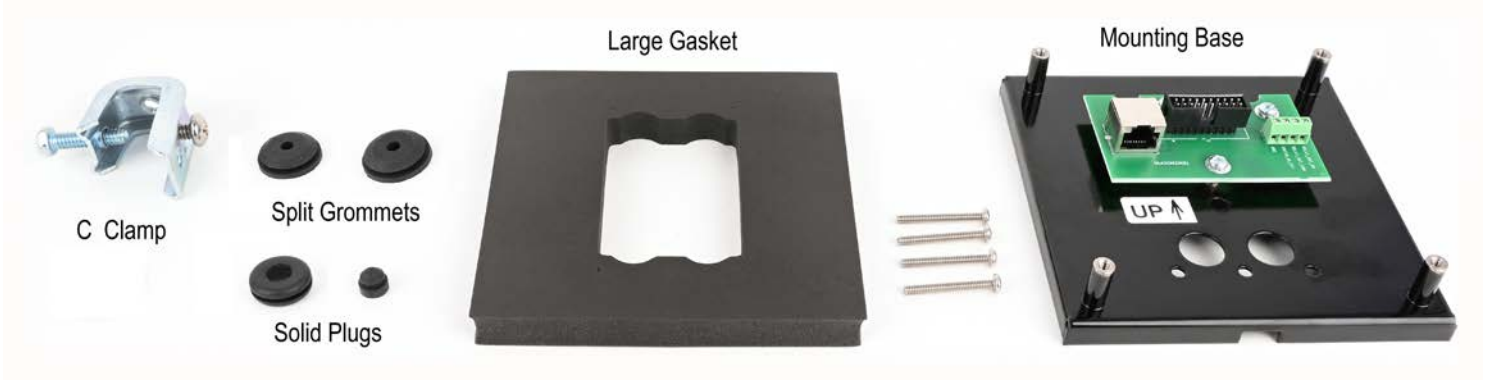


Figure 2.

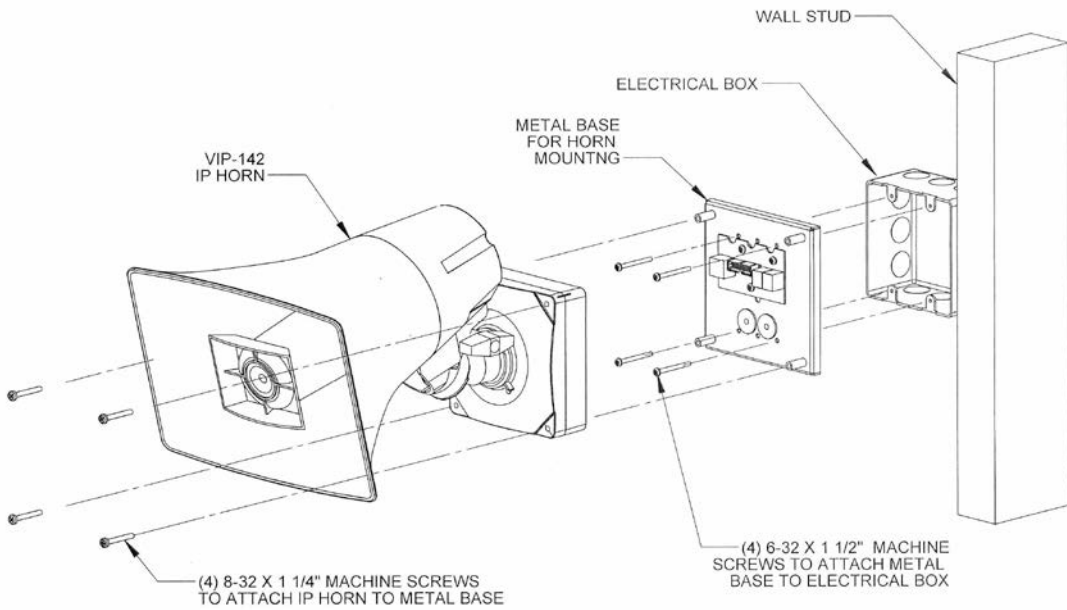


Figure 3. Interior Mounting

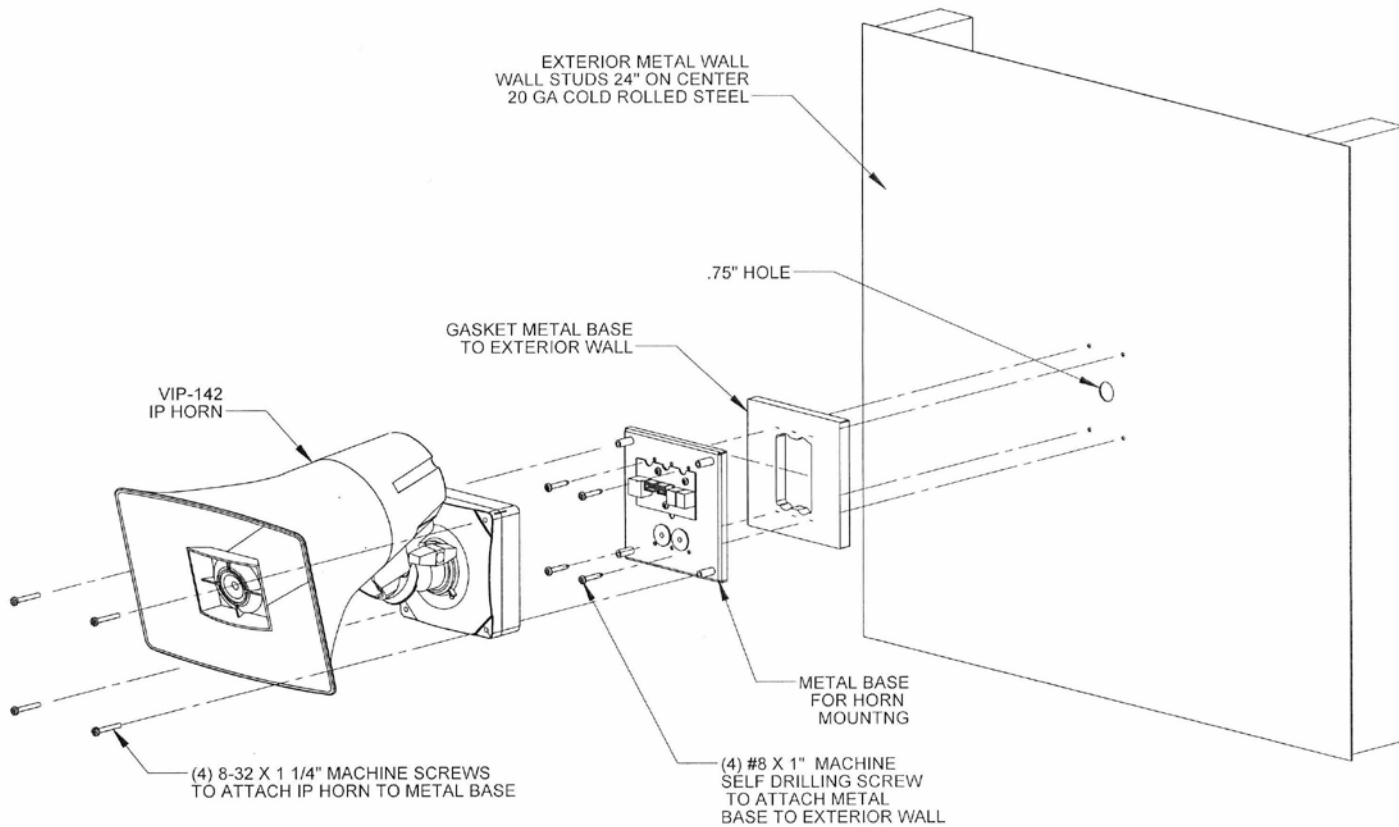


Figure 4. Exterior Mounting

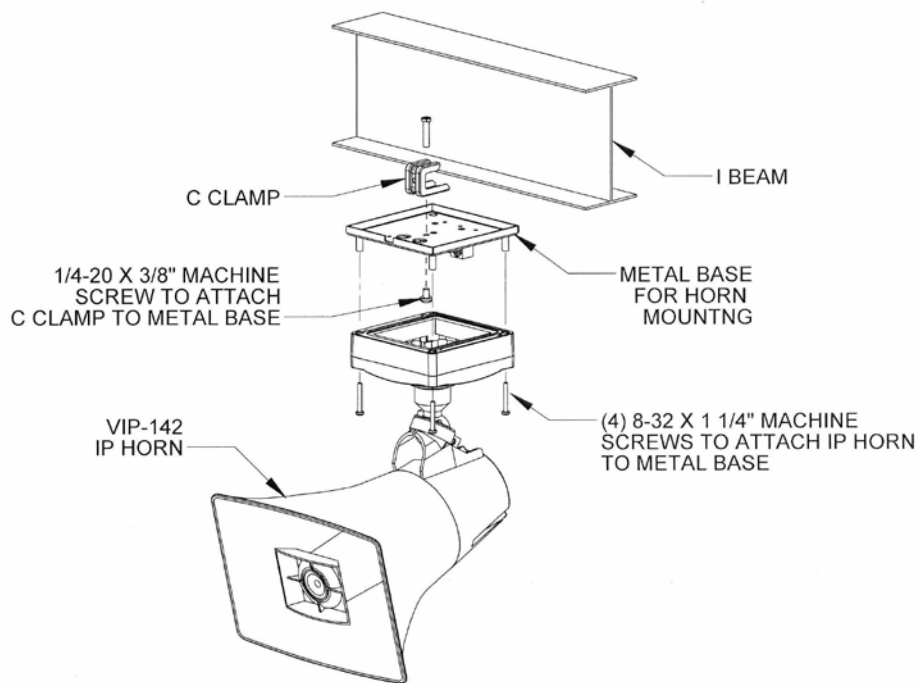


Figure 5. Interior I-Beam Mounting