

VIP-903 RACK MOUNT KIT

INSTALLATION

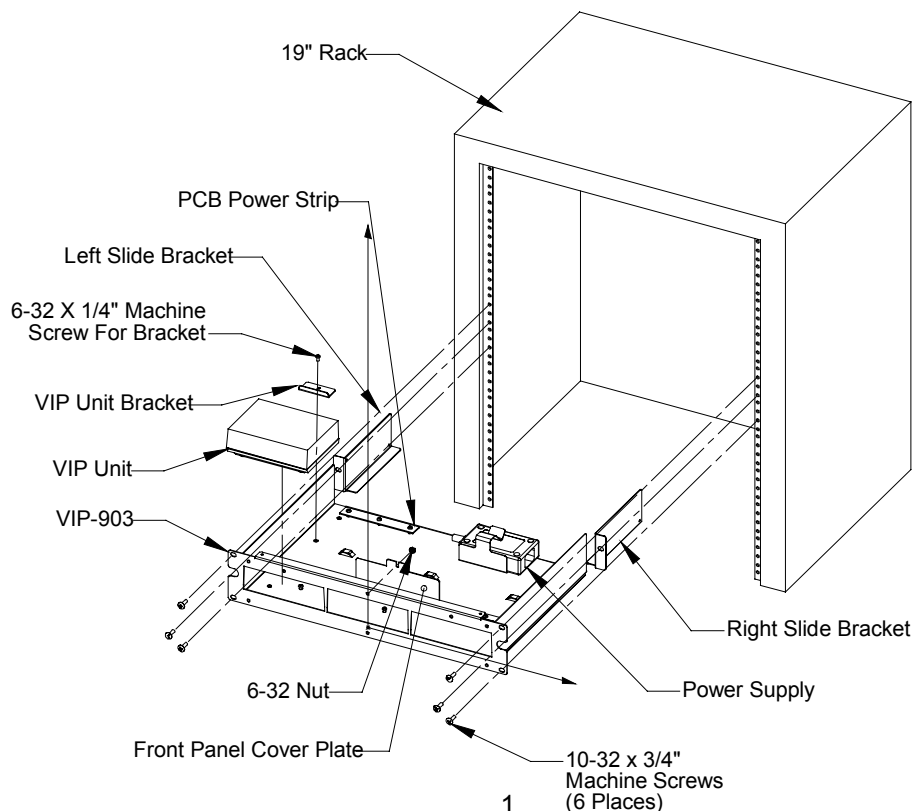
1. Insert left and right slide bracket into the groove of the VIP-903, Rack Mount VIP three position. Slide brackets to the front of the unit so that the oblong holes of the brackets line up to the notch on the front panel.
2. Insert the VIP-903 into a 19 inch rack. Line up the mounting holes of the unit to the threaded holes in a 19 inch rack.
3. Insert a 10-32 X 3/4 inch machine screw into the slots for the slide brackets first and tighten. The VIP-903 unit can now slide out of the rack so that the VIP units can be easily mounted.
4. Connect power supply in the back of the unit to the wall outlet.
5. Mount a VIP unit in the VIP-903 by first sliding the unit into the opening of the front panel.

Slide the VIP unit bracket up against the back of the unit and tighten the 6-32 X 1/4 inch machine screw for the bracket.

6. Insert one of the cables that is attached to the PCB power strip to the mating connector on the back of the VIP unit.

7. If more than one unit is mounted in the VIP-903, then the front panel cover plate has to be removed. These cover plates are removed by removing the 6-32 nut on the back of the front panel and then lifting the cover plate out.

8. Repeat steps 5 and 6 for mounting the other VIP units.
8. After the VIP units are mounted in the VIP-903, then slide the unit back into the rack. Attach the VIP-903 to the 19 inch rack with four 10-32 X 3/4 inch machine screws.



TECHNICAL ASSISTANCE

Assistance in troubleshooting is available from the factory. Call (540) 563-2000 and press 1 for Technical Support or via email at support@voip.valcom.com.

When requesting assistance, you should include all available information. It is strongly suggested that you go to the web site and follow the trouble resolution procedure at <http://voip.valcom.com>.

Valcom equipment is not field repairable. Valcom, Inc. maintains service facilities in Roanoke, VA. Should repairs be necessary, attach a tag to the unit clearly stating your company name, address, phone number, contact person and the nature of the problem. Send the unit to:

**Valcom, Inc.
Repair & Return Dept.
5614 Hollins Road
Roanoke, VA 24019-5056**

VALCOM LIMITED WARRANTY

Valcom, Inc. warrants its products to be free from defects in materials and workmanship under conditions of normal use and service for a period of one year from the date of shipment. The obligation under this warranty shall be limited to the replacement, repair or refund of any such defective device within the warranty period, provided that:

1. inspection by Valcom, Inc. indicates the validity of the claim;
2. the defect is not the result of damage, misuse or negligence after the original shipment;
3. the product has not been altered in any way or repaired by others and that factory sealed units are unopened (a service charge plus parts and labor will be applied to units defaced or physically damaged);
4. freight charges for the return of products to Valcom are prepaid;
5. all units 'out of warranty' are subject to a service charge. The service charge will cover minor repairs (major repairs will be subject to additional charges for parts and labor).

This warranty is in lieu of and excludes all other warranties, expressed or implied and in no event shall Valcom, Inc. be liable for any anticipated profits, consequential damages, loss of time or other losses incurred by the buyer in connection with the purchase, operation or use of the product.

This warranty specifically excludes damage incurred in shipment. In the event a product is received in damaged condition, the carrier should be notified immediately. Claims for such damage should be filed with the carrier involved in accordance with the F.O.B. point.