

## VIP-997 INTERIOR / EXTERIOR IP STROBE

### INTRODUCTION

The VIP-997 Interior/Exterior IP Strobe private mode notification appliance provides bright strobe functionality with both power and activation provided by the IP network. Multiple strobes may be synchronized to flash in unison.

### SPECIFICATIONS

#### Features

- Cost effective and versatile solution to applications requiring visual alerts or strobes
- Power over Ethernet (PoE) 802.3af compatible
- Night Ring functionality in conjunction with other Valcom IP speakers
- Synchronized strobing when used with additional VIP-997 strobes

#### Activation Methods

- Valcom Group Page
- SIP Phone Call

#### Dimensions / Weight

- 9.0"H x 7.8"W x 5.5"D  
(22.86cm H x 19.8cm W x 13.97cm D)
- 3.3 lbs. (1.5 kg)

#### Nominal Power Requirements

- Via 802.3af PoE Ethernet Switch 6W

#### Environment

- Temperature: - 40° to +70° C
- Humidity: 0 to 85% non-precipitating



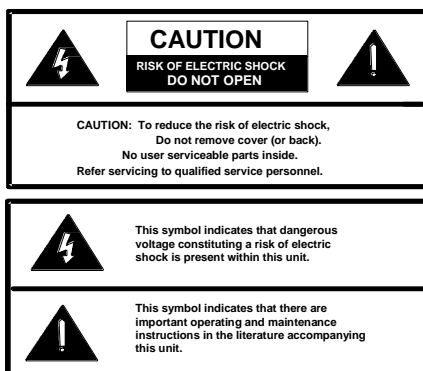
These products are intended for use with a UL Listed power source marked "Class 2" or "LPS" rated 24VDC, or 48VDC (PoE). PoE and all interconnected ITE are intended for intra-building.

#### Precautionary Designations

- **WARNING: To Reduce The Risk Of Fire Or Electric Shock. Do Not Expose This Apparatus To Rain Or Moisture.**
- **AVERTISSEMENT: Afin de réduire les risques d'incendie ou de décharge électrique, évitez d'exposer le système à la pluie ou à l'humidité.**
- **Apparatus shall not be exposed to dripping or splashing and no objects filled with liquids, such as vases, shall be placed on the apparatus.**
- **L'appareil ne doit pas être exposé à des égouttements et éclaboussures et aucun Objet Rempli de liquide, comme vase, ne doit être placé sur l'appareil.**

#### FCC Information

This equipment has been tested and found to comply with the limits for a Class A digital device, pursuant to Part 15 of the FCC Rules. These limits are designed to provide reasonable protection against harmful interference when the equipment is operated in a commercial environment. This equipment generates, uses and can radiate radio frequency energy and if not installed and used in accordance with the instruction manual, may cause harmful interference to radio communications. Operation of this equipment in a residential



area may cause harmful interference in which case the user will be required to correct the interference at his own expense.

**IMPORTANT SAFETY INFORMATION**

**CONSIGNES DE SÉCURITÉ IMPORTANTES**

1. Read these instructions.  
Lisez ces instructions.
2. Keep these instructions.  
Conservez ces instructions.
3. Heed all warnings.  
Respectez tous les avertissements.
4. Follow all instructions.  
Suivez toutes les instructions.
5. Do not use this apparatus near water.  
Ne pas utiliser cet appareil près de l'eau.
6. Clean only with dry cloth.  
Nettoyer avec un chiffon sec.
7. Do not block any ventilation openings. Install in accordance with the manufacturer's instructions.  
Ne pas bloquer les ouvertures de ventilation. Installer conformément aux instructions du fabricant.
8. Do not install near any heat sources such as radiators, heat registers, stoves or other apparatus (including amplifiers) that produce heat.  
Ne pas installer à proximité de sources de chaleur telles que radiateurs, registres de chaleur, poêles ou autres appareils (y compris les amplificateurs) produisant de la chaleur.
9. Do not defeat the safety purpose of the polarized or grounding-type plug. A polarized plug has two blades with one wider than the other. A grounding type plug has two blades and a third grounding prong. The wide blade and the third prong are provided for your safety. If the provided plug does not fit into your outlet consult an electrician for replacement of the obsolete outlet.  
Ne pas contourner le dispositif de sécurité de la fiche polarisée ou de mise à la terre. Une fiche polarisée possède deux lames dont une plus large que l'autre. Une fiche de terre a deux lames et une troisième broche de mise à la terre. La lame large et la troisième broche sont fournies pour votre sécurité. Si la fiche fournie ne rentre pas dans votre prise, veuillez consulter un électricien pour le remplacement de la prise obsolète.
10. Protect the power cord from being walked on or pinched particularly at plugs, convenience receptacles and the point where they exit from the apparatus.  
N'utilisez que des fixations / accessoires spécifiés par le fabricant.
11. Only use attachments/accessories specified by the manufacturer.  
Utilisez uniquement avec le chariot, stand, trépied, support ou table spécifié par le fabricant ou vendu avec l'appareil. Quand un chariot est utilisé, Soyez prudent lorsque vous déplacez l'ensemble chariot / appareil pour éviter des blessures dues au renversement.
12. Use only with the cart, stand, tripod, bracket or table specified by the manufacturer or sold with the apparatus. When a cart is used, use caution when moving the cart/apparatus combination to avoid injury from tip-over.  
Utilisez uniquement avec le chariot, stand, trépied, support ou table spécifié par le fabricant ou vendu avec l'appareil. Quand un chariot est utilisé, Soyez prudent lorsque vous déplacez l'ensemble chariot / appareil pour éviter des blessures dues au renversement.
13. Unplug this apparatus during lightning storms or when unused for a long period of time. Débranchez cet appareil pendant les orages ou lorsqu'il n'est pas utilisé pendant une longue période de temps.
14. Refer all servicing to qualified service personnel. Servicing is required when the apparatus has been damaged in any way. Such as when the power supply cord or plug is damaged, liquid has been spilled, objects have fallen into the apparatus or the apparatus has been exposed to rain or moisture and does not operate normally or has been dropped.  
Confiez toute réparation à un personnel qualifié. Une réparation est nécessaire lorsque l'appareil a été endommagé de quelque façon. Par exemple lorsque le cordon d'alimentation ou la fiche est endommagé, du liquide a été renversé, si des objets sont tombés dans l'appareil ou le appareil a été exposé à la pluie ou à l'humidité et ne fonctionne pas normalement ou s'il est tombé.



**INSTALLATION**  
**Operation**

The VIP-997 provides private mode notification via network connection. Activation of the strobe is triggered by including the VIP-997 as a member of a Valcom IP Paging group. The VIP-997 can also operate as a visual Night Ring device in conjunction with a SIP PBX and can provide audio Night Ring to other Valcom IP speakers when activated. Interface to customer telephone system can be via SIP registration to a Voice over IP (VoIP) telephone system, or FXO port (when used with a Valcom Enhanced Station Port).

**Mounting**

The VIP-997 is designed for double-gang electrical box mounting, or can be attached directly to a solid surface. The VIP-997 is

labeled with an arrow indicating the UP direction and the VIP-997 must be installed in that orientation. (Figure 2)

If mounting to an outlet box (Figure 3), confirm the outlet box is securely installed following the outlet box manufacturer's directions. If installing directly to a solid surface, note the information shown in Figure 4 for secure mounting to stud walls. For other types of wall construction, use appropriate fasteners.

**Network Connection**

A weatherproof connector for the premise ethernet cable is pre-assembled to the VIP-997 strobe. Use a standard ethernet cable to connect the strobe to the local network.

**IMPORTANT:** *If using a pre-terminated ethernet cable, verify the RJ45 cable end will fit through the End Cap opening of the weatherproof connector. If a boot is used around the RJ45 connector, it must not extend more than 35mm from the end of the RJ45 connector.*

To connect the premise cable (shown in Figure 1), unscrew the End Cap [1] and Threaded Barrel [3] from the open end of the connector. Remove the Rubber Bushing [2] from the Threaded Barrel. Insert the ethernet cable from the network through the End Cap and Threaded Barrel and place the Rubber Bushing around the ethernet cable between the End Cap and Barrel.

Insert the network cable RJ45 connector into the RJ45 jack in the Main Barrel [5]. Confirm the Gasket [4] is in place, then insert the Threaded Barrel into the Main Barrel and tighten. Slide the Rubber Bushing into the end of the Threaded Barrel, then screw the End Cap onto the Threaded Barrel and tighten.

**Power Connections**

The only method of powering the VIP-997 is via a Power over Ethernet (PoE) switch or power injector meeting the 802.3af specification. Make all required signal connections before connecting to Ethernet switch or power injector meeting the 802.3af specification.

## Setup

Information specific to your application will need to be programmed into the VIP-997 using a computer. The PC used for programming should be connected to the same subnet as the VIP-997. Setup will be done using the IP Solution Setup Tool. Download the latest version of the free IP Solutions Setup Tool from the Valcom web site at [www.valcom.com/vipsetuptools](http://www.valcom.com/vipsetuptools)

## TECHNICAL ASSISTANCE

Assistance in troubleshooting is available from the factory. Call (540) 563-2000 and press 1 for Technical Support or via email at [support@valcom.com](mailto:support@valcom.com).

When requesting assistance, you should include all available information. General information and troubleshooting procedures

are available on the Valcom website at [www.valcom.com](http://www.valcom.com).

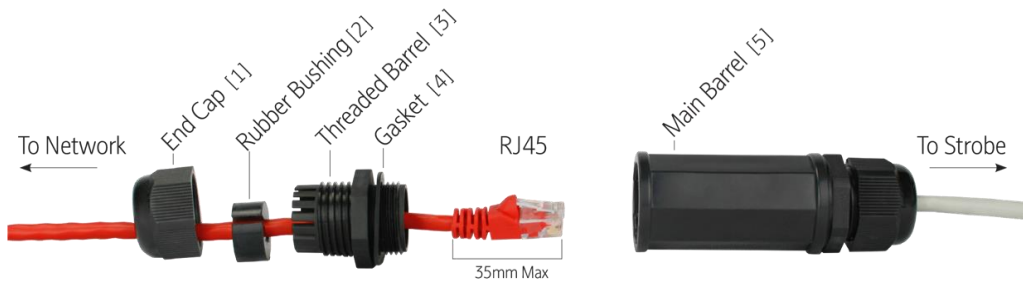
Valcom equipment is not field repairable. Valcom, Inc. maintains service facilities in Roanoke, VA.

Should repairs be necessary, attach a tag to the unit clearly stating your company name, address, phone number, contact person and the nature of the problem. Send the unit to:

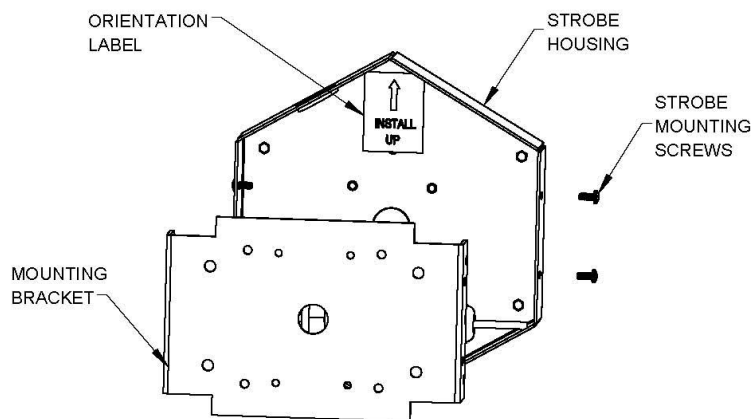
**Valcom, Inc.**  
**Repair & Return Dept.**  
**5614 Hollins Road**  
**Roanoke, Va. 24019-5056**

## WARRANTY

Warranty information may be found on our website at [www.valcom.com/warranty](http://www.valcom.com/warranty)



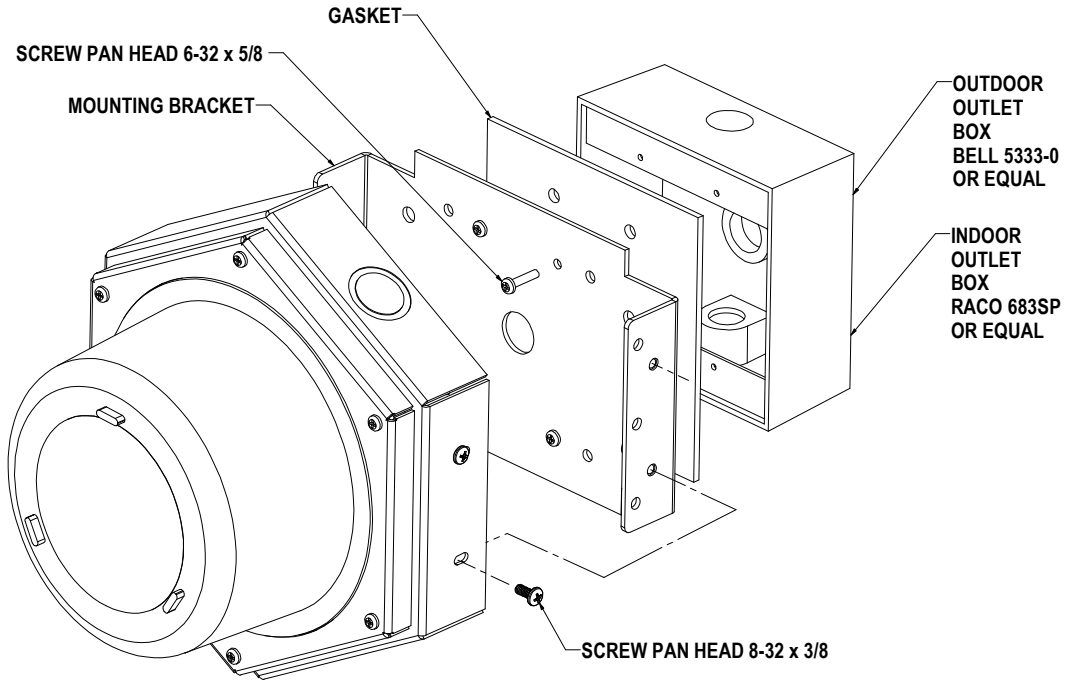
**Figure 1. Barrel Connection**



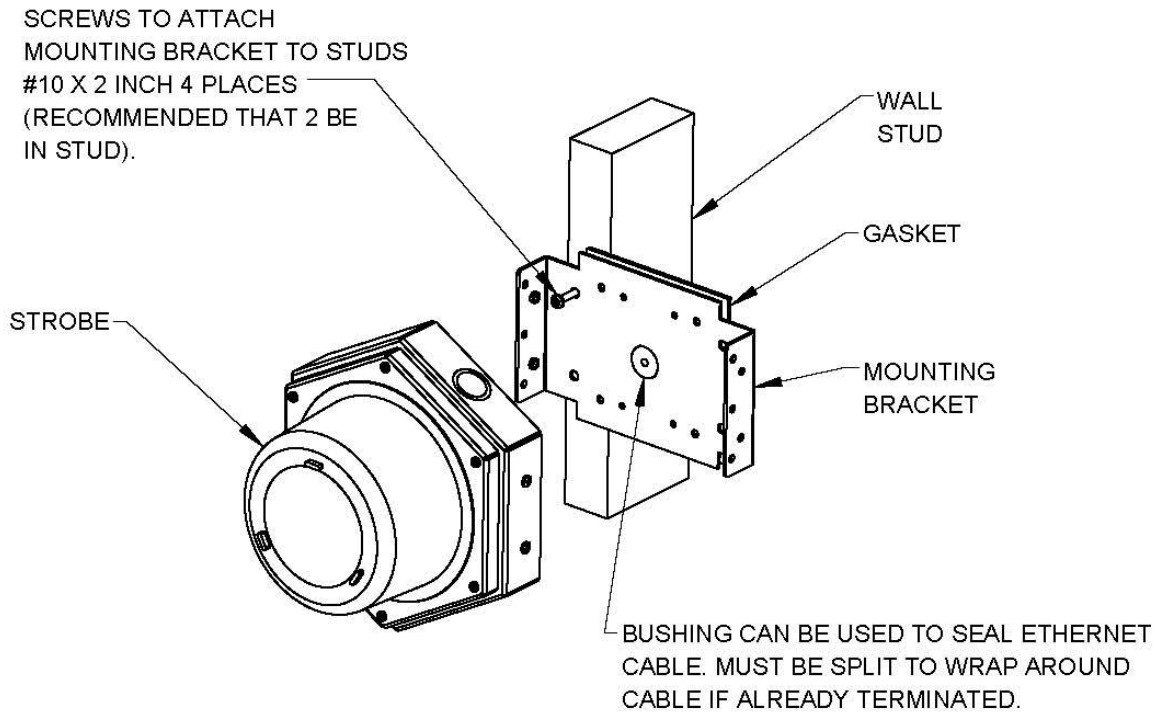
AFTER INSTALLING MOUNTING BRACKET AND CONNECTING ETHERNET CABLE SLIDE STROBE HOUSING OVER FLANGES AND ALIGN MOUNTING SCREWS. PAY ATTENTION TO ORIENTATION LABEL FOR PROPER MOUNTING.

**Figure 2. Label for Proper Mounting**

**NOTE:**  
 REMOVE STROBE FROM PACKAGING. REMOVE (4) 8-32 SCREWS THAT HOLD THE MOUNTING BRACKET IN PLACE.  
 SAVE THE SCREWS TO RE-MOUNT THE STROBE TO THE MOUNTING BRACKET LATER.  
 SECURE THE MOUNTING BRACKET TO WALL WITH APPROPRIATE HARDWARE.  
 CONNECT CUSTOMER RJ45 CONNECTOR (POE) TO OUTDOOR COUPLER. MAKE SURE GASKETS ARE IN PLACE AND  
 TIGHTEN FOR WATER TIGHT SEAL. SLIDE STROBE HOUSING OVER MOUNTING BRACKET, ALIGN HOLES AND REPLACE (4) 8-32 SCREWS  
 FROM PREVIOUS STEP. TAKE CAUTION NOT TO PINCH THE CABLES OR COUPLER.  
**NOTE: MOUNTING BRACKET CAN BE DIRECTLY ATTACHED TO WALL SURFACE OR ATTACHED TO THE APPROPRIATE OUTLET BOX  
 FOR THE APPLICATION.**



**Figure 3. Connecting to Outlet Box**



**Figure 4. Mounting to Wall**