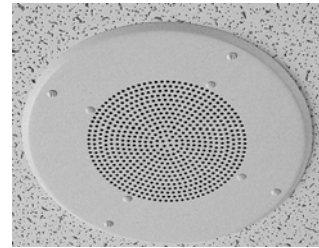


V-WTGY, V-C806PK INSTALLATION INSTRUCTIONS



V-WTGY
Wall Mount Speaker
Gray W/ Black Grille



V-C806PK
Round Ceiling Speaker
White Powder Coat

INTRODUCTION

The interior wall speaker, the V-WTGY, and interior ceiling speaker, the V-C806PK, are capable of reproducing paging as well as back ground music. The volume may be adjusted by connecting various combinations on the input screw terminals. The enclosures are made of steel with a durable powder coated finish. The color of the enclosures can easily be changed to match any décor. A cloth covered detachable grille is included with the V-WTGY wall speaker. Both units contain 8" full range speakers.

MOUNTING

V-WTGY

Remove the screw holding the mounting bracket to the enclosure. Mount the bracket using appropriate hardware such as #8 pan head screws. After making the required connections, reattach the enclosure to the mounting bracket. A Siesmic strapping point is provided.

V-C806PK

Cut an 8.5" diameter hole in ceiling tile. After connections have been made to the speaker, attach speaker to ceiling tile using the mounting hardware provided. **NOTE:** Where extra speaker support is needed, a V-9916M Valcom Bridge and Backbox should be used.

DIMENSIONS/WEIGHT

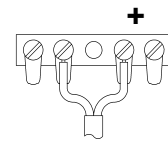
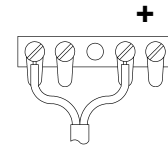
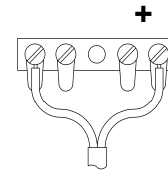
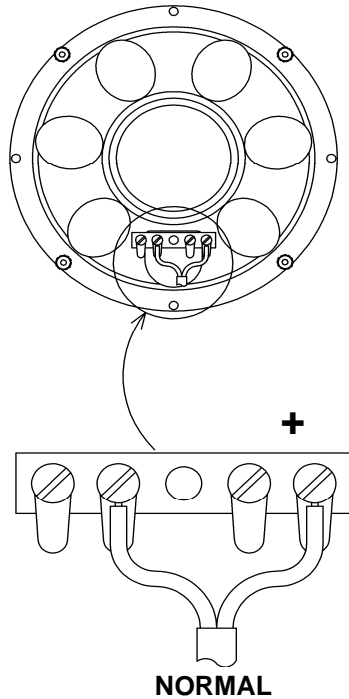
V-WTGY

- 10.13" H x 12.31" W x 4.63" D
(25.73cm x 31.27cm W x 11.75cm D)
- Weight: 4.25 LBS (1.91 kg)

V-C806PK

- 13.00" Diameter x 2.50" D
(33.02cm Diameter x 6.35cm D)
- Weight: 2.5 lbs. (1.13 kg)

INSTALLATION



VERY LOUD – Best choice for speakers that feature an external volume control.

VERY LOUD is not typically recommended for use with 12 or 24 port 45-ohm station cards, unless speakers feature an external volume.

TECHNICAL ASSISTANCE

Assistance in troubleshooting is available from the factory. When calling, you should have a VOM, a telephone test set and call from the job site. Call (540) 563-2000 and press 1 for Technical Support or visit our website at <http://www.valcom.com>.

Valcom equipment is not field repairable. Valcom, Inc. maintains service facilities in Roanoke, VA. Should repairs be necessary, attach a tag to the unit clearly stating company name, address, phone number, contact person and the nature of the problem. Send the unit to:

**Valcom, Inc.
Repair and Return Dept.
5614 Hollins Road
ROANOKE, VA 24019**

WARRANTY

Warranty information may be found on our website at www.valcom.com/warranty.