

# V-1094A Page Port PreAmp/Expander

The Amp has a 600 Ohm input and a 8 Ohm output with a response of 80Hz to 10kHz +/-3dB and a maximum gain of 8dB. It is powered by -21 to -26VDC at 15mA.

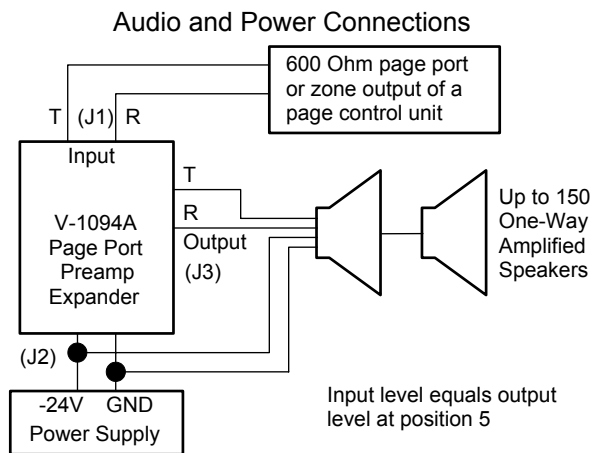


The V-1094A is normally used to pre-amp audio on long lines or provide master volume control to all or part of a paging zone.

Technical Assistance  
540-563-2000 or  
[www.valcom.com](http://www.valcom.com)

Issue 1

947095-A



- Note:
  - 4.50" L
  - 2.50" H
- Drawing goes on back side