

VIP-148AL-SA Syn-Apps® Compliant IP Talkback Horn

INTRODUCTION

The VIP-148AL-SA Syn-Apps® Compliant IP Talkback Horn enables two-way handsfree voice access to a single location over an IP-based network. The horn audio level is electronically adjusted from the Syn-Apps server. A call switch input connection is provided for call initiation. Power is provided to the VIP-148AL via a Power over Ethernet (PoE) switch meeting the 802.3af specification.



SPECIFICATIONS

Access Methods

- Syn-Apps Revolution server
- SIP telephone system

Features

- RJ-45 for network connection
- Network activity LEDs
- Power over Ethernet (PoE) 802.3af compatible

Dimensions/Weight:

VIP-148AL-SA Horn

- 7.38" H x 10.0" W x 10.4" D
(18.75cm x 25.4cm x 26.42cm)
- Weight: 3.70 lbs. (1.68 kg)

Network Interface

- 1.62" H x 5.63" W x 3.45" D
(4.11 cm) x (14.30 cm) x (8.73 cm)
- **with brackets** – 8.22" W (20.87 cm)
- Weight: 2.10 lbs. (0.95 kg)

Environment

Network Interface:

Temperature: 0 to +40° C

Humidity: 0 to 85% non-precipitating

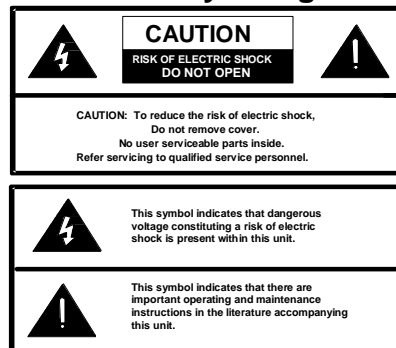
Horn:

Suitable for indoor or outdoor installation

Nominal Power Requirements

Via 802.3af (PoE) Ethernet Switch: Class 3

Precautionary Designations



FCC Information

This equipment has been tested and found to comply with the limits for a Class A digital device, pursuant to Part 15 of the FCC Rules. These limits are designed to provide reasonable protection against harmful interference when the equipment is operated in a commercial environment. This equipment generates, uses and can radiate radio frequency energy and if not installed and used in accordance with the instruction manual, may cause harmful interference to radio communications. Operation of this equipment in a residential area may cause harmful interference in which case the user will be required to correct the interference at his own expense.

INSTALLATION

Operation:

Provides talkback intercom via Network connection to customer telephone system, Syn-Apps Revolution server or other destination. Interface to customer telephone system can be via SIP registration, FXO port or FXS port (additional equipment may be required). The optional call button may be programmed to initiate a call to one of the above telephone system interfaces. When the call is answered, a hands-free communications path is established to the horn.

Mounting (Network Interface)

The VIP-148AL-SA Network Interface is designed for wall or table mounting and must be within 100 meters of the network switch.

Mounting (Horn)

The VIP-148AL-SA Horn is designed for most FD electrical box or wall mounting and must be within 300 meters of the VIP-148AL-SA Network Interface. See NEMA OS 3-2002 sec.1.2.3.5 for FD box specifications.

Attaching Speaker to Base

NOTE: For ease of installation, the base can be attached to the speaker before or after the base is mounted.

- Loosen position adjustment knob
- Insert the ball of the base into the socket of the speaker
- Tighten the position adjustment knob

These horns should be mounted 15 to 20 feet above the floor to allow for best sound distribution. The units can be mounted to a wall, a beam or an electrical box.

- A "C" clamp is provided with the horns to allow mounting to a beam. When using the "C" clamp for mounting, remove the signal cable from the ball mount. Reinstall an RJ45 connector on the signal cable after mounting, using the T568B pinout scheme. See Figure 1.
- The base has holes punched for a double-gang square box, but by punching out additional knockout holes, the base can be mounted to a single-gang or octagon box. See Figure 2.

- Mount the base to wall studs using the two holes provided. Knockout holes are provided for punch out should additional holes be desired. See Figure 3.

The horns may be rotated or moved up and down to obtain the desired position by loosening the position adjustment knob at the bottom of the unit approximately one turn. Make required adjustments, retighten knob.

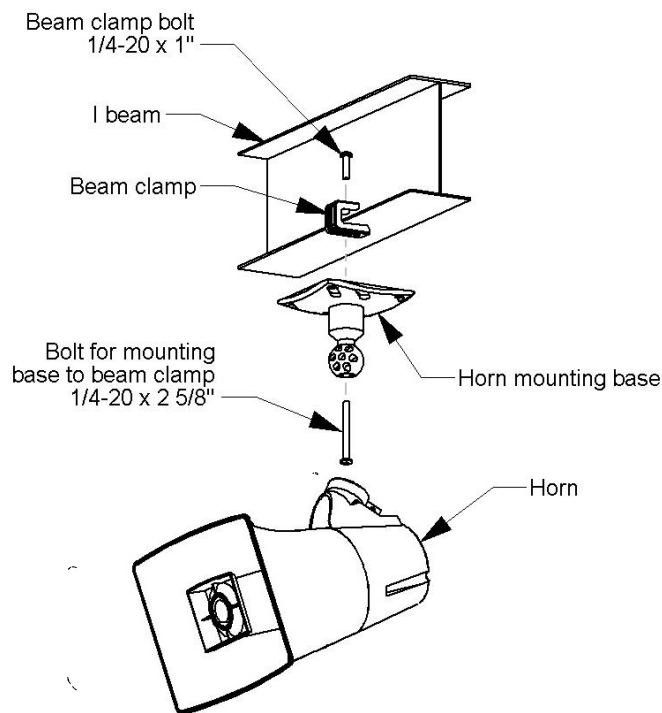


Figure 1. Mounting to a Beam with a "C" Clamp

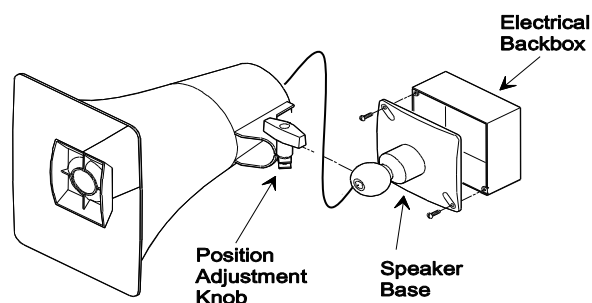


Figure 2. Mounting to an electrical Backbox

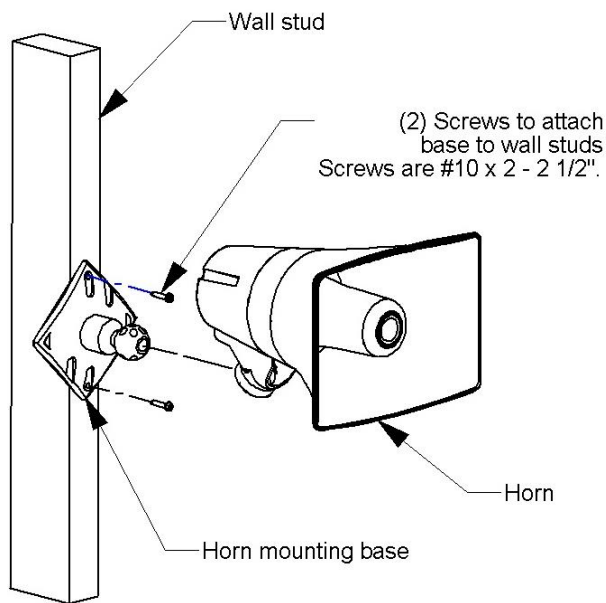


Figure 3. Mounting to Wall stud

Power Connections

The only method of powering a VIP-148AL-SA Network Interface is via a Power over Ethernet (PoE) switch or power injector meeting the 802.3af specification. Make all required signal connections before connecting to Ethernet switch or power injector meeting the 802.3af specification.

Network Connection

The VIP-148AL-SA Network Interface has one RJ-45 Ethernet network connector and one RJ-45 horn connector.

Use a standard Ethernet patch cable to connect the VIP-148AL-SA to an Ethernet switch.

Signal Connections

Audio output connection is made from the Signal Output. The RJ-45 connector on the horn is connected directly to the RJ-45 Signal Output socket on the Network Interface. If additional length is required, any standard T568B extension may be used. See Figure 4.

If desired, a normally-open call button may be connected to the Blue, White/Blue pair of the horn RJ-45 connector. The VM-186 RJ-45 connector provides easy access to these connections.

Status Indicator Lights

The VIP-148AL-SA has 2 status indication lights located on network jack:

Green LED: (Link) Indicates Ethernet connection when illuminated.

Yellow LED: (Activity) Indicator flashes to indicate network activity.

Setup

The VIP-148AL-SA will automatically acquire an IP address (using DHCP) and connect to the Syn-Apps Revolution server when connected to the network and powered up. Information specific to your application will need to be programmed into the Revolution server. Refer to the Syn-Apps documentation for further information. Additional setup, if necessary, will be done using the Valcom IP Solutions Setup Tool. The IP Solutions Setup Tool is available for download on the Valcom website at www.valcom.com/vipsetuptool.

TECHNICAL ASSISTANCE

Assistance in troubleshooting is available from the factory when problems are encountered. Call (540) 563-2000 and press 1 for Technical Support or visit our website at <http://www.valcom.com>.

Valcom equipment is not field repairable. Valcom, Inc. maintains service facilities in Roanoke, VA. Should repairs be necessary, attach a tag to the unit clearly stating your company name, address, phone number, contact person and the nature of the problem. Send the unit to:

Valcom, Inc.
Repair & Return Dept.
5614 Hollins Road
Roanoke, Va. 24019-5056

WARRANTY

Warranty information may be found on our website at www.valcom.com/warranty.

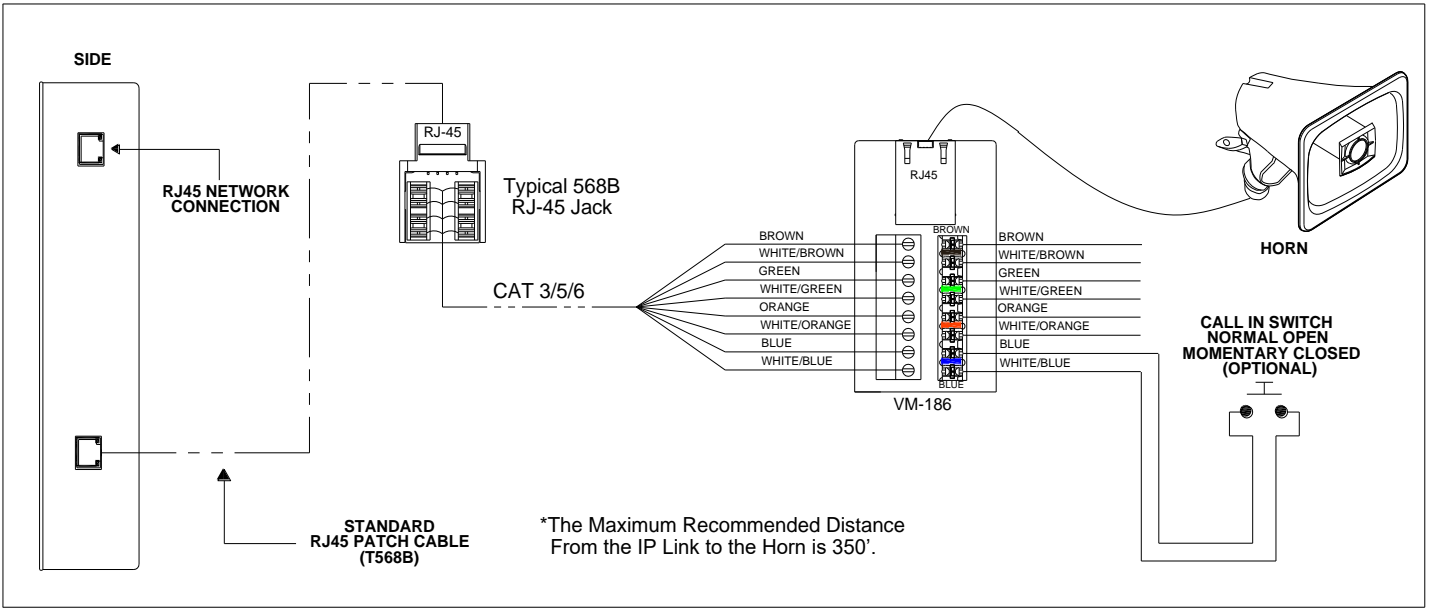
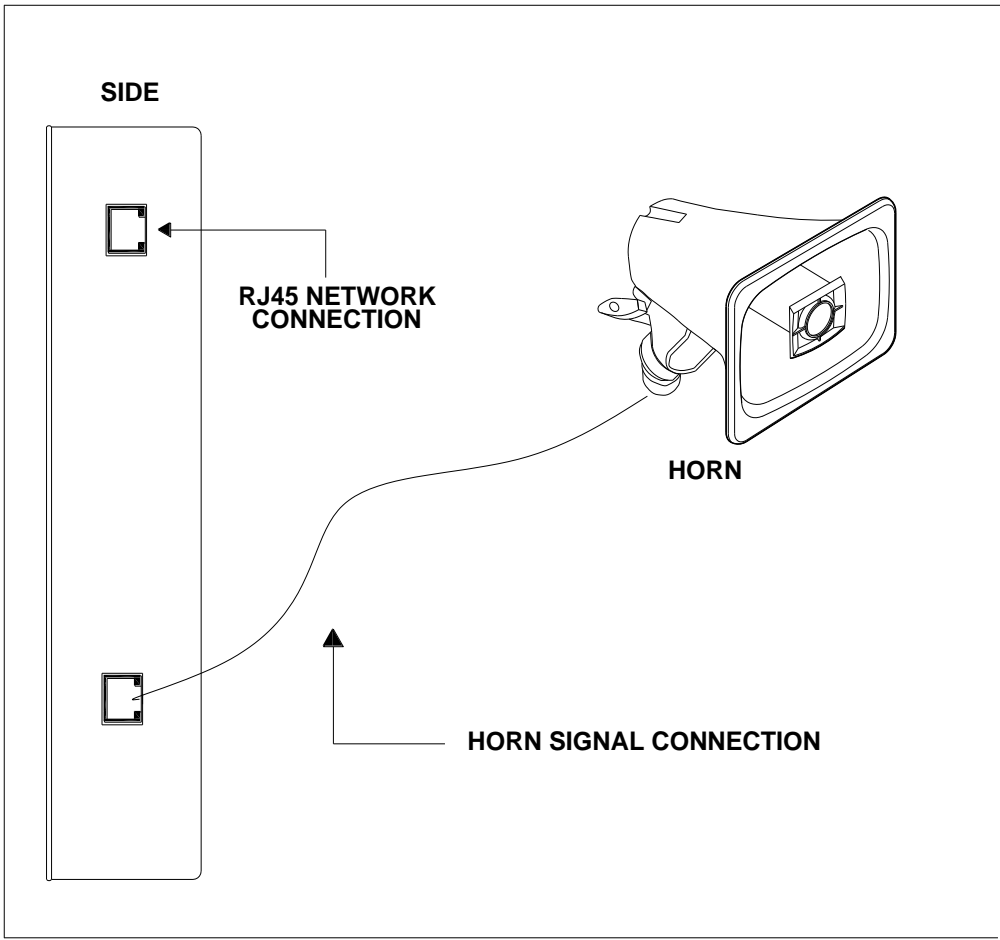


Figure 4. Signal Connections