

VIP-9831AL IP Indoor/Outdoor Stealth Horn

INTRODUCTION

The VIP-9831AL IP Stealth Horn is a self-contained paging system which enables voice paging hundreds of feet from an Ethernet connection. The VIP-9831AL consists of a horn and Network/Audio Interface allowing standalone capability when used with a SIP enabled telephone system or can be accessed from a variety of Valcom managed VoIP products.



SPECIFICATIONS

Access Methods

- SIP telephone system
- PBX, FXO Port w/VIP-811A
- POTS telephone set w/VIP-811A
- PBX, FXS Port w/VIP-821A
- Valcom M Cast Page Group

Features

- RJ-45 network connection
- Network activity LEDs
- Power over Ethernet (PoE) 802.3af compatible

Dimensions/Weight

Horn Enclosure:

- 9.3 "H x 15.0 "W x 5.0 "D
(23.6 cm x 38.1 cm x 12.7 cm)
- Weight: 5.5 lbs (2.05 kg)

Network Interface

- 1.62" H x 5.63" W x 3.45" D
(4.11 cm) x (14.30 cm) x (8.76 cm)
- **with brackets** – 8.22" W (20.87 cm)
- Weight: 2.10 lbs. (0.95 kg)

Environment

Network Interface:

- Temperature: +32 to +104°F (0 to +40°C)
- Humidity: 0 to 85% non-precipitating
- Indoor installation only

Horn Enclosure:

- Temperature: -4 to +131°F (-20 to +55°C)
- Humidity: 0 to 95% non-condensing
- Indoor/Outdoor installation

Power

Via 802.3af PoE Ethernet Switch:

Class 3

Precautionary Designations



INSTALLATION

FCC Information

This equipment has been tested and found to comply with the limits for a Class A digital device, pursuant to Part 15 of the FCC Rules. These limits are designed to provide reasonable protection against harmful interference when the equipment is operated in a commercial environment. This equipment generates uses and can radiate radio frequency energy and if not installed and used in accordance with the instruction manual, may cause harmful interference to radio communications. Operation of this equipment in a residential area may cause harmful interference in which case the user will be required to correct the interference at his own expense.

IMPORTANT SAFETY INFORMATION

CONSIGNES DE SÉCURITÉ IMPORTANTES

1. Read these instructions.
Lisez ces instructions.
2. Keep these instructions.
Conservez ces instructions.
3. Heed all warnings.
Respectez tous les avertissements.
4. Follow all instructions.
Suivez toutes les instructions.
5. Do not use this apparatus near water.
Ne pas utiliser cet appareil près de l'eau.
6. Clean only with dry cloth.
Nettoyer avec un chiffon sec.
7. Do not block any ventilation openings. Install in accordance with the manufacturer's instructions.
Ne pas bloquer les ouvertures de ventilation. Installer conformément aux instructions du fabricant.
8. Do not install near any heat sources such as radiators, heat registers, stoves or other apparatus (including amplifiers) that produce heat.
Ne pas installer à proximité de sources de chaleur telles que radiateurs, registres de chaleur, poêles ou autres appareils (y compris les amplificateurs) produisant de la chaleur.
9. Do not defeat the safety purpose of the polarized or grounding-type plug. A polarized plug has two blades with one wider than the other. A grounding type plug has two blades and a third grounding prong. The wide blade and the third prong are provided for your safety. If the provided plug does not fit into your outlet consult an electrician for replacement of the obsolete outlet.
Ne pas contourner le dispositif de sécurité de la fiche polarisée ou de mise à la terre. Une fiche polarisée possède deux lames dont une plus large que l'autre. Une fiche de terre a deux lames et une troisième broche de mise à la terre. La lame large et la troisième broche sont fournies pour votre sécurité. Si la fiche fournie ne rentre pas dans votre prise, veuillez consulter un électricien pour le remplacement de la prise obsolète.
10. Protect the power cord from being walked on or pinched particularly at plugs, convenience receptacles and the point where they exit from the apparatus.
11. Only use attachments/accessories specified by the manufacturer.
N'utilisez que des fixations / accessoires spécifiés par le fabricant.
12. Use only with the cart, stand, tripod, bracket or table specified by the manufacturer or sold with the apparatus. When a cart is used, use caution when moving the cart/apparatus combination to avoid injury from tip-over.
Utilisez uniquement avec le chariot, stand, trépied, support ou table spécifié par le fabricant ou vendu avec l'appareil. Quand un chariot est utilisé, Soyez prudent lorsque vous déplacez l'ensemble chariot / appareil pour éviter des blessures dues au renversement.
13. Unplug this apparatus during lightning storms or when unused for a long period of time.
Débranchez cet appareil pendant les orages ou lorsqu'il n'est pas utilisé pendant une longue période de temps.
14. Refer all servicing to qualified service personnel. Servicing is required when the apparatus has been damaged in any way. Such as when the power supply cord or plug is damaged, liquid has been spilled, objects have fallen into the apparatus or the apparatus has been exposed to rain or moisture and does not operate normally or has been dropped.
Confiez toute réparation à un personnel qualifié. Une réparation est nécessaire lorsque l'appareil a été endommagé de quelque façon. Par exemple lorsque le cordon d'alimentation ou la fiche est endommagé, du liquide a été renversé, si des objets sont tombés dans l'appareil ou le appareil a été exposé à la pluie ou à l'humidité et ne fonctionne pas normalement ou s'il est tombé.



removed.

5. Connect a standard ethernet patch cable or other cable meeting the TIA/EIA 568B standard to the RJ45 connector on the VM-186 block. Connect the other end of the cable to the Signal Output RJ45 socket on the Network Interface.
6. Install grille onto enclosure base.

Network Connection

The VIP-9831AL Network Interface has one RJ-45 NETWORK connector and one RJ-45 Signal Output connector.

Use a standard Ethernet patch cable to connect the NETWORK connector of the VIP-9831AL Network Interface to an Ethernet switch.

Status Indicator Lights

The VIP-9831AL has 2 status indication lights located on network jack:

Green LED: (Link) Indicates Ethernet connection when illuminated.

Yellow LED: (Activity) Indicator flashes to indicate network activity.

Signal Connections

Audio output connection is made from the Signal Output to the VM-186 Junction Box mounted on the inside of the Horn Enclosure. This step is generally done during the mounting of the enclosure.

See Figure 2.

If additional wiring length between the Network Interface and the Horn Enclosure is required, any standard TIA/EIA 568B extension may be used. See Figure 2.

Operation

Provide paging from SIP connection or via a variety of Valcom managed VoIP products. Integration to customer telephone system can be via SIP registration, FXO port (with VIP-811A), or FXS port (with VIP-821A).

Setup

Information specific to your application will need to be programmed into the VIP-9831AL using a computer. Setup will be done using the IP Solutions Setup Tool. The IP Solutions Setup Tool may be downloaded from the Valcom website at www.valcom.com/vipsetuptool.

Mounting (Enclosure / Horn)

The horn should be mounted 8 to 12 feet above the floor to allow for best sound distribution. This unit can be mounted to a single gang, double gang, octagon electrical box or wall. See Figure 1.

1. Using a Phillips screwdriver, remove 4 screws attaching grille to enclosure base.
2. The enclosure base has 4 mounting holes near each corner. If using those holes for installation, mount the enclosure base to wall using appropriate hardware. Continue with step 5.
3. If attaching to an outlet or electrical box, the horn assembly must be removed for access. Using an 11/32" nut driver, carefully remove horn bracket assembly from enclosure base. Do not remove horn from bracket. Support the horn to prevent straining the wire connection to the VM-186 block. If necessary, the horn wiring may be disconnected from the VM-186 block by carefully prying up the screw terminal connector from the VM-186 block.
4. Mount the enclosure base to the wall with appropriate hardware. If the horn wiring was disconnected from the VM-186 block, reconnect wiring to the Brown/Brown White terminals of the VM-186. Reinstall the horn assembly, if it was

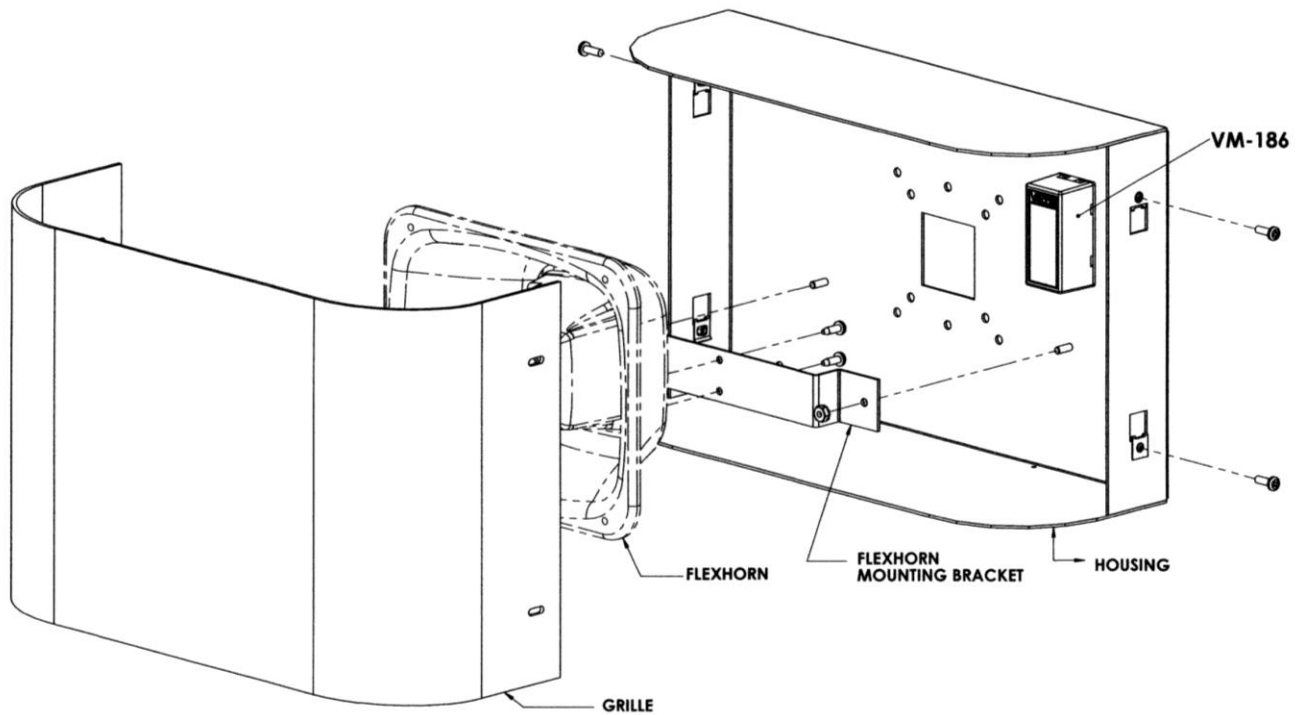


Figure 1. Mounting

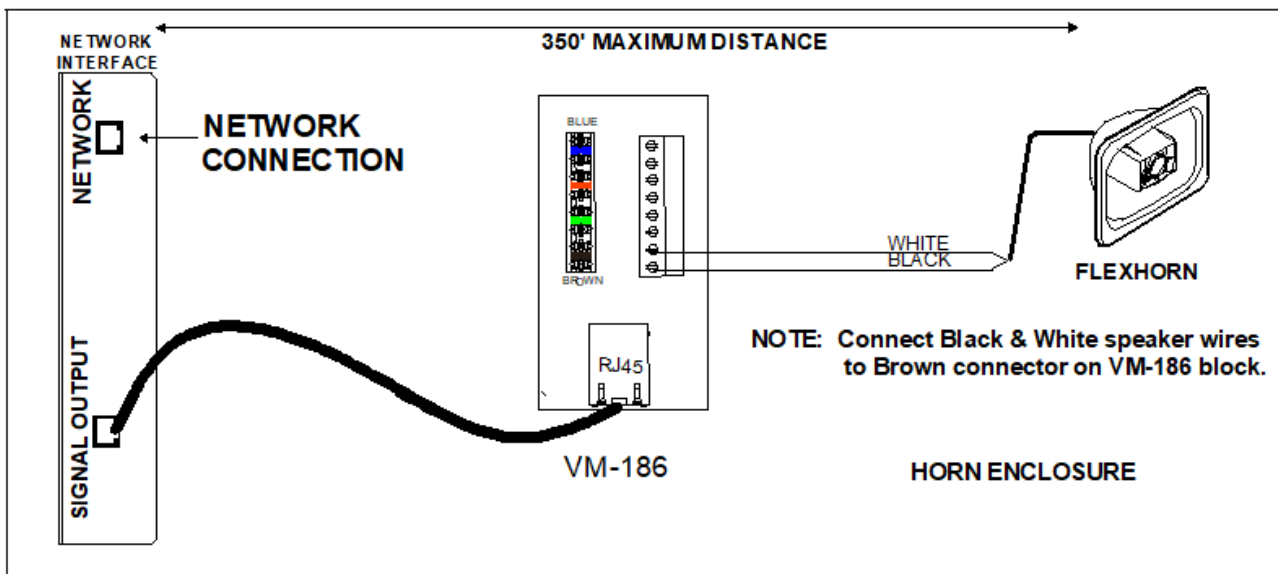


Figure 2. Connections

TECHNICAL ASSISTANCE

Assistance is available from the factory when problems are encountered. Call (540) 563-2000 and press 1 for Technical Support or visit our website at <http://www.valcom.com>. Valcom equipment is not field repairable. Valcom, Inc. maintains service facilities in Roanoke, VA. Should repairs be necessary, attach a tag to the unit clearly stating your company name, address, phone number, contact person and the nature of the problem. Send the unit to:

Valcom, Inc.
 Repair & Return Dept.
 5614 Hollins Road
 Roanoke VA. 24019

WARRANTY

Warranty information may be found on our website at www.valcom.com/warranty