

VL530 AND VL540 IP MESSAGE DISPLAYS

INTRODUCTION

The VL530 and VL540 IP Message Displays provide highly visible message output over an Ethernet network. Messages may be displayed using multiple lines, stationary or scrolling, and with a selection of fonts and colors. Additional Valcom equipment is required.



SPECIFICATIONS

Features

- RJ-45 network connection
- Easy to read, high visibility
- Font and color options
- Adjustable display angle
- Power over Ethernet Plus (PoE+) 802.3at compatible

DIMENSIONS/WEIGHT

- VL530 – 30" W x 5.50" H x 3.38" Deep (including mounting brackets)
Weight: 7.65 LBS
- VL540 – 39.63" W x 5.50" H x 3.38" Deep (including mounting brackets)
Weight: 9.45 LBS

Nominal Power Requirements

- 802.3at (PoE +) Class 4

Environment


Temperature: 0 to +40° C
Humidity: 0 to 85% non-precipitating

FCC Information

This equipment has been tested and found to comply with the limits for a Class A digital device, pursuant to Part 15 of the FCC Rules. These limits are designed to provide reasonable protection against harmful interference when the equipment is operated in a commercial environment. This equipment generates, uses and can radiate radio frequency energy and if not installed and used in accordance with the instruction manual, may cause harmful interference to radio communications. Operation of this equipment in a residential area may cause harmful interference in which case the user will be required to correct the interference at one's own expense.

IMPORTANT SAFETY INFORMATION

CONSIGNES DE SÉCURITÉ IMPORTANTES

1. Read these instructions.
Lisez ces instructions.
2. Keep these instructions.
Conservez ces instructions.
3. Heed all warnings.
Respectez tous les avertissements.
4. Follow all instructions.
Suivez toutes les instructions.
5. Do not use this apparatus near water.
Ne pas utiliser cet appareil près de l'eau.
6. Clean only with dry cloth.
Nettoyer avec un chiffon sec.
7. Do not block any ventilation openings. Install in accordance with the manufacturer's instructions.
Ne pas bloquer les ouvertures de ventilation. Installer conformément aux instructions du fabricant.
8. Do not install near any heat sources such as radiators, heat registers, stoves or other apparatus (including amplifiers) that produce heat.
Ne pas installer à proximité de sources de chaleur telles que radiateurs, registres de chaleur, poêles ou autres appareils (y compris les amplificateurs) produisant de la chaleur.
9. Do not defeat the safety purpose of the polarized or grounding-type plug. A polarized plug has two blades with one wider than the other. A grounding type plug has two blades and a third grounding prong. The wide blade and the third prong are provided for your safety. If the provided plug does not fit into your outlet consult an electrician for replacement of the obsolete outlet.
Ne pas contourner le dispositif de sécurité de la fiche polarisée ou de mise à la terre. Une fiche polarisée possède deux lames dont une plus large que l'autre. Une fiche de terre a deux lames et une troisième broche de mise à la terre. La lame large et la troisième broche sont fournies pour votre sécurité. Si la fiche fournie ne rentre pas dans votre prise, veuillez consulter un électricien pour le remplacement de la prise obsolète.
10. Protect the power cord from being walked on or pinched particularly at plugs, convenience receptacles and the point where they exit from the apparatus.
11. Only use attachments/accessories specified by the manufacturer.
N'utilisez que des fixations / accessoires spécifiés par le fabricant.
12. Use only with the cart, stand, tripod, bracket or table specified by the manufacturer or sold with the apparatus. When a cart is used, use caution when moving the cart/apparatus combination to avoid injury from tip-over.

Utilisez uniquement avec le chariot, stand, trépied, support ou table spécifié par le fabricant ou vendu avec l'appareil. Quand un chariot est utilisé, Soyez prudent lorsque vous déplacez l'ensemble chariot / appareil pour éviter des blessures dues au renversement.
13. Unplug this apparatus during lightning storms or when unused for a long period of time.
Débranchez cet appareil pendant les orages ou lorsqu'il n'est pas utilisé pendant une longue période de temps.
14. Refer all servicing to qualified service personnel. Servicing is required when the apparatus has been damaged in any way. Such as when the power supply cord or plug is damaged, liquid has been spilled, objects have fallen into the apparatus or the apparatus has been exposed to rain or moisture and does not operate normally or has been dropped.
Confiez toute réparation à un personnel qualifié. Une réparation est nécessaire lorsque l'appareil a été endommagé de quelque façon. Par exemple lorsque le cordon d'alimentation ou la fiche est endommagé, du liquide a été renversé, si des objets sont tombés dans l'appareil ou le appareil a été exposé à la pluie ou à l'humidité et ne fonctionne pas normalement ou s'il est tombé.

Reinstall the screw and nut for the desired mounting angle (Figure 1).

Hang the message display by the “keyhole” slots (Figure 2).

Secure the message display brackets to the wall with another screw (Figure 3).

Network Connection / Power

The VL530 and VL540 have one RJ-45 network connector on the rear panel. Connect a standard patch cable to the VL530 or VL540 from an Ethernet switch supporting the Power over Ethernet specification 802.3at (PoE+). If a PoE+ switch is not available, a mid-span injector may be used to supply power to the display.

Setup

Information specific to your application will need to be programmed into the VL530 or VL540 using a computer. The PC used for the programming should be connected to the same subnet as the display. Setup will be done using the IP Solutions Setup Tool. Download the latest version of the free IP Solution Setup Tool from the Valcom web site at www.valcom.com/vipsetuptool.

INSTALLATION

Mounting

The VL530 or VL540 message display should be mounted with appropriate hardware (not included). The VL530 and VL540 are shipped with the mounting brackets 16” on center. We recommend these brackets to be mounted into wall studs.

If desired, the hardware that attaches these brackets to the message display can be moved in order to mount into wall studs. Loosen the nuts that attach these brackets to the display. Move the brackets to the desired location and then retighten the nuts. Remove the screw and the nut that determines the mounting angle (Figure 1).

Mark the mounting holes on the wall to hang the display (Figure 2).

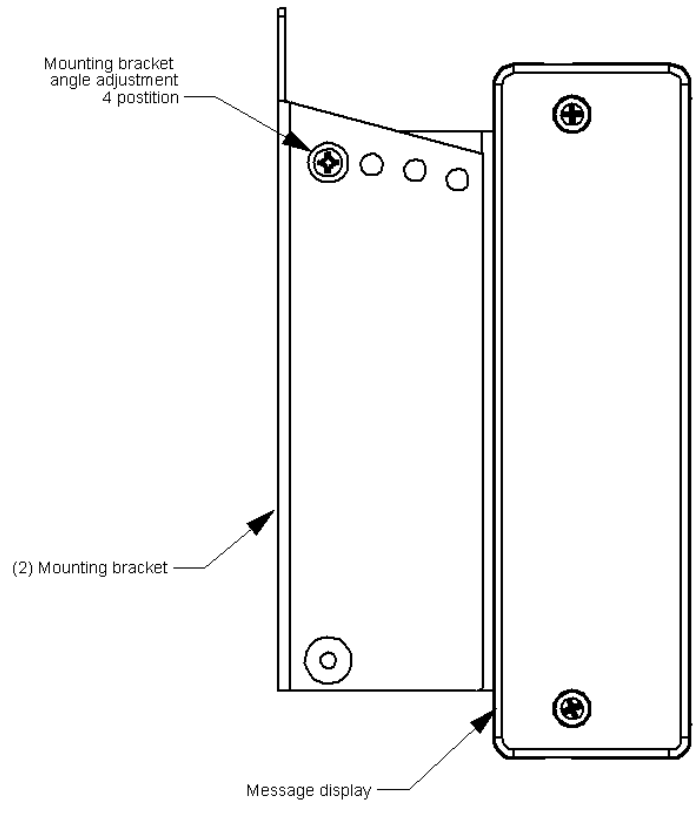


Figure 1

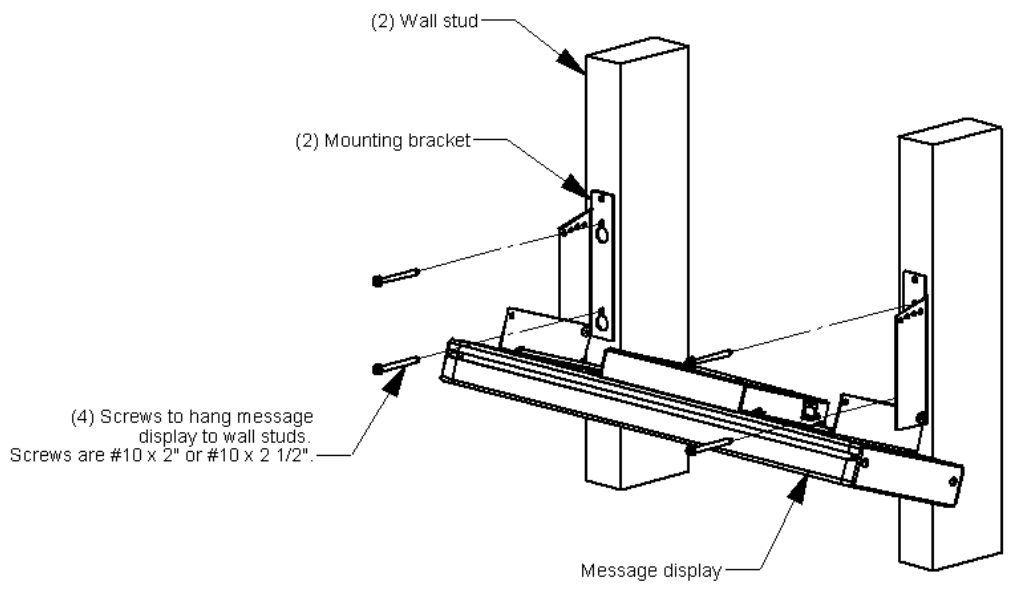


Figure 2

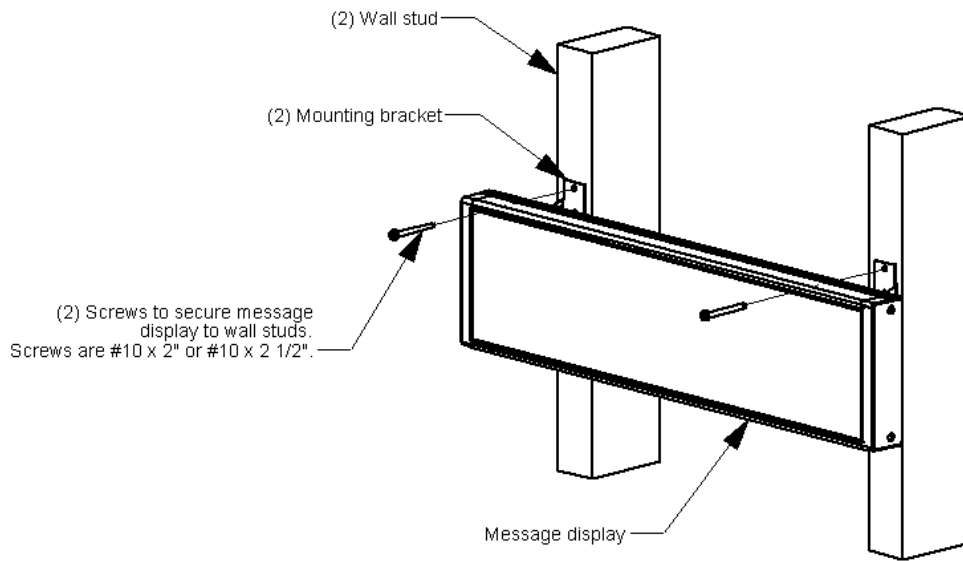


Figure 3

TECHNICAL ASSISTANCE

Assistance is available from the factory when problems are encountered. Call (540) 563-2000 and press 1 for Technical Support or visit our website at <http://www.valcom.com>

WARRANTY

Warranty information may be found on our website at www.valcom.com/warranty

Valcom, Inc. equipment is not field repairable. Valcom maintains service facilities in Roanoke, VA. Should repairs be necessary, attach a tag to the unit clearly stating company name, address, phone number, contact person, and the nature of the problem.

Send the unit to:

**Valcom, Inc.
Repair and Return Dept.
5614 Hollins Road
Roanoke, VA 24019-5056**