

V-1109RTVA NINE ZONE PAGE CONTROL

INTRODUCTION

The V-1109RTVA, Nine Zone Page Control, is a dial select microprocessor controlled page unit to be used with PABX, Electronic Key or 1A2 Telephone Equipment.

These instructions contain the specifications and information necessary to install, operate and maintain the Nine Zone Page Control.

This paging unit has received an FCC type KX registration and is designed to be used with FCC registered key telephone systems. Such installations may be made by Valcom, Inc., Telephone Companies and registered telephone installers of FCC registered systems under FCC Rules Section 68.215.

In accordance with FCC rules with applicable tariffs, this intercom unit may only be installed with the authorization of the owner of the host system.

The FCC Registration Number BAF917-69358-KX-N, will be listed in the affidavits filed with the telephone company; it will also be recorded in the system log kept by installation and maintenance personnel. The local Telephone Company is to be notified of the FCC Registration Number when this intercom unit is installed.

This equipment generates and uses radio frequency energy and if not installed and used properly, that is in strict accordance with the manufacturer's instructions, may cause interference to radio and television reception. It

has been tested and found to comply with the limits for a Class B computing device, in accordance with the specifications in Subpart J of Part 15 of the FCC Rules, which are designed to provide reasonable protection against



interference. If this equipment does cause interference to radio and television reception, which can be determined by turning the equipment off and on, the user is encouraged to try to correct the interference by one or more of the following measures:

- Reorient the receiving antenna
- Relocate the equipment with respect to the receiver
- Plug the equipment into a different branch circuit

If necessary, the user should consult the dealer or an experienced radio/television technician for additional suggestions. The user may find the following booklet prepared by the Federal Communications Commission helpful: "How to Identify and Resolve Radio-TV Interference Problems."

This booklet is available from the US Government printing office, Washington, DC 20402. Stock No. 004-000-00345-4.

SPECIFICATIONS

Purpose

To provide nine (9) zones of voice announce with all call to 1A2 Key, E-Key or PABX telephone systems.

Applications

- 1A2 key systems
- Electronic key system line key position
- PABX loop start trunk position

Features

- 9 page zones
- Built in preamplifier for one-way page operation
- Dial tone
- Ringback tone
- Combined rotary and tone dialing
- Background music input and amplifier
- Built-in all call
- Single digit dialing
- Off hook speaker inhibit (1A2)
- Off hook single digit redial (push asterisk key)

Capacity

- The capacity of the V-1109RTVA is 9 zones and all call
- One talkpath
- The maximum number of one-way speaker/amplifier speaker assemblies is 40 per zone unless a V-1094A expander is used.

Numbering Plan

The dialing codes are 1-9, 0 for all call.

Additional Materials Required

At the time of installation, the installer should provide the following materials:

- -24VDC filtered power supply (if existing supply is not adequate)
- 66 type connecting block
- 25 pair cable with a female amphenol connector on one end
- Twisted pair cross-connect wire

Dimensions/Weight

7.10"H x 5.90"W x 2.10"D
(18.03cm H x 14.99cm W x 5.33cm D)
2.7 lbs. (1.23 kg)

Power Requirements

The Valcom V-1109RTVA requires -24VDC talk battery and -24VDC signal battery. The current consumption and voltage range is shown in Table 1.

TABLE 1

Talk Battery	-21.5 to -26VDC
60mA	
Signal Battery	-21.5 to -25VDC
250mA	
Lamp Battery	9 to 11VAC
45mA/Lamp	

Note: Remember when working with telephone equipment that BATTERY is NEGATIVE and GROUND is POSITIVE.

Electrical Characteristics

The operating parameters of the page control are listed in Table 2.

TABLE 2

Parameters	Working Limits
Input impedance Tip and Ring:	600 Ohms
Max cable length to speaker:	5000 feet audio
Dial Pulses:	8-12pps
	60-40 break ratio
	+/- 10%
Tone Signals:	Industry Standard

Frequency

Bandwidth:	3%
Twist:	6dB
Detect:	40ms
Interdigital Time:	40ms

Environmental

Temperature:	0 to 50° C
Humidity:	0 to 85% (non-precipitating)

INSTALLATION

This section covers the installation procedures for the Valcom V-1109RTVA only. Consult other equipment instructions if additional equipment is used.

Precautions

All precautions have been taken at the factory to insure that the equipment functions properly. To insure proper operation and to prevent equipment damage, please observe the following:

- Unplug the power supply before making any connections to the control unit.
- Do not locate the control unit closer than 18 inches or further than five feet from power supply.
- Do not use a lamp tester to check signals; use a voltmeter. A lamp tester when first applied is a short circuit to electronic circuits.
- Do not apply power to the control unit until all connections have been double checked.

Mounting

Mount the unit in a vacant space in an equipment cabinet, rack or key system cabinet, allowing enough room at the rear of the unit to plug in an amphenol connector. Mount a 66B type punchdown block near the unit and label it per Figure 1.

Cabling

A 25 pair cable with a female connector should be ran from the unit to the connection block. The cable should be terminated on the connection block in standard color code order. Verify that the connections are correct prior to plugging the other end of the cable into the V-1109RTVA Page Unit.

Connections to PABX System

The V-1109RTVA may be accessed by connecting the W/BL and BL/W to the Tip and Ring respectively of a Loop Start Trunk Circuit. Refer to Figure 2 for connections.

Connections to Electronic Key Systems

The V-1109RTVA may be accessed by a C.O. line position of an Electronic Key System by connecting the W/BL, BL/W of the V-1109RTVA to a spare line position of the Electronic Key. This line position must be equipped with a trunk card. Refer to Figure 2 for connections.

Connections to 1A2 Key System

The V-1109RTVA may be connected to a spare button of a 1A2 Key Telephone by making the following connections: **(A 400 type line card is not needed in this application).**

- W/BL, BL/W of V-1109RTVA to spare button Tip and Ring
- O/W to Lamp Lead of spare button for lamp connections
- W/GR to Lamp Ground lead of spare button

NOTE: When the V-1109RTVA is connected to a 1A2 Key System, connect W/O to Lamp Battery or Ground. See Figure 3.

NOTE: For "Meet Me Page" on 1A2, connect A-Leads from spare button using 10K Ohm resistors in series with each A-Lead. The other side of resistors are connected to the BK/G (inhibit) of V-1109RTHF. Refer to Figure 3 for connections.

Power Connections

- The V-1109RTVA is designed to use -24VDC battery.
- Connect the V/BR lead to Talk Ground.
- Connect the BR/V lead to Talk Battery (-24VDC filtered).
- Connect the V/S lead to Signal Ground.
- Connect the S/V lead to Signal Battery (-24VDC unfiltered).

Speaker Connections

The outputs for paging zones start at the BK/BR pair (zone 1) through the V/O pair (zone 9). Refer to Figure 3 for typical speaker connections using Valcom one-way amplified speaker assemblies.

Page and Music Level Set-up

The V-1109RTVA has volume controls for the following functions:

- Master Page Control - located on back of unit below amphenol connector
- All Call Master Control - located on front of unit
- Background music input control Zones 1-5
- Background music input control Zones 6-9

Control Set-Up:

1. Master Page Control:

This control sets the level of the page out of the page control unit. The control should be rotated clockwise to about 50% of its travel. After setting control, the individual speaker volume controls should be set to the desired level.

2. All Call Level:

The All call level should be set to produce the same audio level as the phone to speaker page control. **THIS ADJUSTMENT SHOULD BE MADE AFTER INDIVIDUAL SPEAKER LEVELS HAVE BEEN SET.**

3. Background Music Levels:

There are two volume controls provided for background music adjustments: Zones 1-5, and Zones 6-9. It is important that the two background music controls be used to set the music levels in the system. Adjust these controls after all other system volume levels have been set. THE MUSIC INPUT LEVEL FROM THE MUSIC SOURCE SHOULD BE LIMITED TO 0.25VRMS MAXIMUM. A SOURCE LEVEL GREATER THAN 0.25VRMS WILL RESULT IN PERMANENT DAMAGE TO THE BACKGROUND MUSIC AMPLIFIERS CONTAINED IN THE V-1109RTVA. The music source should be connected to the V/G Pair on the connecting block for the Page Control Unit

OPERATION

This unit provides multi-zone page access provisions to appropriately interface with the telephone system being used. A preamplifier conditions the audio from the telephone system tip and ring and provides a low impedance low level output to the desired page zone.

Circuit Description

When a station user lifts his handset to make a page, the switchhook contacts in the telephone close the tip and ring to form a loop which returns battery back to turn on transistor Q1. Transistor Q1 operates relay and logic circuits to return dial tone and lamp battery to the telephone set. Logic circuits receive dialing information and operate relays and/or circuitry to provide a ringback tone and a one-way connection for the zone selected.

TECHNICAL ASSISTANCE

When trouble is reported, verify that power is being supplied to the unit and there are no broken connections. Be sure that the amphenol is secure in the back of the unit. Check voltages for proper polarity on the crossconnect block. A lineman's test set, several clip leads and a VOM may be necessary to effectively troubleshoot the unit.

Table 3 identifies some possible problems and solutions.

If a spare unit is available, continue to troubleshoot by substituting the spare unit for the suspected unit.

Assistance in troubleshooting is available from the factory. When calling, you should have a VOM and a telephone test set available and call from the job site. Call (540) 563-2000 and press 1 for Technical Support or visit our website at <http://www.valcom.com>.

Valcom equipment is not field repairable. Valcom maintains service facilities in Roanoke, VA. Should repairs be necessary, attach a tag to the unit clearly stating your company name, address, phone number, contact person and the nature of the problem. Send the unit to:

***Valcom, Inc.
Repair and Return Dept.
5614 Hollins Road
Roanoke, VA 24019-5056***

**TABLE 3
TROUBLESHOOTING CHART**

PROBLEMS	PROBABLE CAUSES AND CORRECTIONS
No side tone	<ul style="list-style-type: none"> • Check "A" battery connection, polarity and voltage.
No dial tone	<ul style="list-style-type: none"> • Check "A" and "B" battery connections, polarity and voltage.
No volume to speakers	<ul style="list-style-type: none"> • Check phone to speaker control. • Check * for audio present at tip, ring input (W/BL, BL/W pair). • Check * for audio at signaled speaker pair at 66B block. • Check * for audio at input of speaker.
Hum heard at phone	<ul style="list-style-type: none"> • Possible magnetic interference from power supply - Relocate unit and cables at least 18" away. • Check for noisy "A" battery.
No speaker cancel	<ul style="list-style-type: none"> • Verify ground present at phone side of at least (2) 10K Ohm resistors. Refer to "Connections to 1A2 Key System." <p>NOTE: Do not apply ground directly to inhibit input.</p>
Background music distorted	<ul style="list-style-type: none"> • Music source level too high. Refer to "Page & Music Level Set Up" procedures.

- Use lineman's test set (Butt set).

VALCOM LIMITED WARRANTY

Valcom, Inc. warrants its products only to the original purchaser, for its own use, to be free from defects in materials and workmanship under conditions of normal use and service for a period of one year from the date of shipment. This Limited Warranty obligation shall be limited to the replacement, repair or refund of any such defective device within the warranty period, provided that:

1. inspection by Valcom, Inc. indicates the validity of the claim;
2. the defect is not the result of damage, misuse or negligence after the original shipment;
3. the product has not been altered in any way or repaired by others and that factory sealed units are unopened (a service charge plus parts and labor will be applied to units defaced or physically damaged);
4. freight charges for the return of products to Valcom are prepaid;
5. all units 'out of warranty' are subject to a service charge. The service charge will cover minor repairs (major repairs will be subject to additional charges for parts and labor).

This Limited Warranty is in lieu of and excludes all other warranties, expressed or implied and in no event shall Valcom, Inc. be liable for any anticipated profits, consequential damages, loss of time or other losses incurred by the buyer in connection with the purchase, operation, maintenance, installation, removal or use of the product. The maximum liability of Valcom under this warranty is limited to the purchase price of the specific Product covered by the warranty.

Disclaimer. Except for the Limited Warranty provided herein, the product is provided "as-is" without any warranty of any kind whatsoever including, without limitation, any **WARRANTY OF MERCHANTABILITY, FITNESS FOR A PARTICULAR PURPOSE OR NON-INFRINGEMENT.**

This warranty specifically excludes damage incurred in shipment. In the event a product is received in damaged condition, the carrier should be notified immediately. Claims for such damage should be filed with the carrier involved in accordance with the F.O.B. point.

Headquarters:
Valcom, Inc.

Figure 1 - Connecting Arrangement

V-1109RTVA
CONNECTING BLOCK

	A	B	C	D	E	F
TIP	—	<u>26</u>	—	W-BL	—	—
RING	—	<u>1</u>	—	BL-W	—	—
LS	—	<u>27</u>	—	W-O	—	—
LAMP	—	<u>2</u>	—	O-W	—	—
LG	—	<u>28</u>	—	W-GR	—	—
PC	—	<u>3</u>	—	GR-W	—	—
STA 1	—	<u>29</u>	—	W-BR	—	—
STA 2	—	<u>4</u>	—	BR-W	—	—
STA 3	—	<u>30</u>	—	W-S	—	—
STA 4	—	<u>5</u>	—	S-W	—	—
STA 5	—	<u>31</u>	—	R-BL	—	—
STA 6	—	<u>6</u>	—	BL-R	—	—
STA 7	—	<u>32</u>	—	R-O	—	—
STA 8	—	<u>7</u>	—	O-R	—	—
STA 9	—	<u>33</u>	—	R-G	—	—
	—	<u>8</u>	—	G-R	—	—
	—	<u>34</u>	—	R-BR	—	—
	—	<u>9</u>	—	BR-R	—	—
	—	<u>35</u>	—	R-S	—	—
	—	<u>10</u>	—	S-R	—	—
	—	<u>36</u>	—	BK-BL	—	—
	—	<u>11</u>	—	BL-BK	—	—
	—	<u>37</u>	—	BK-O	—	—
	—	<u>12</u>	—	O-BK	—	—
INH	—	<u>38</u>	—	BK-G	—	—
	—	<u>13</u>	—	G-BK	—	—
RET	—	<u>39</u>	—	BK-BR	—	—
SPK 1	—	<u>14</u>	—	BR-BK	—	—
RET	—	<u>40</u>	—	BK-S	—	—
SPK 2	—	<u>15</u>	—	S-BK	—	—
RET	—	<u>41</u>	—	Y-BL	—	—
SPK 3	—	<u>16</u>	—	BL-Y	—	—
RET	—	<u>42</u>	—	Y-O	—	—
SPK 4	—	<u>17</u>	—	O-Y	—	—
RET	—	<u>43</u>	—	Y-G	—	—
SPK 5	—	<u>18</u>	—	G-Y	—	—
RET	—	<u>44</u>	—	Y-BR	—	—
SPK 6	—	<u>19</u>	—	BR-Y	—	—
RET	—	<u>45</u>	—	Y-S	—	—
SPK 7	—	<u>20</u>	—	S-Y	—	—
RET	—	<u>46</u>	—	V-BL	—	—
SPK 8	—	<u>21</u>	—	BL-V	—	—
RET	—	<u>47</u>	—	V-O	—	—
SPK 9	—	<u>22</u>	—	O-V	—	—
MT	—	<u>48</u>	—	V-G	—	—
MR	—	<u>23</u>	—	G-V	—	—
AG	—	<u>49</u>	—	V-BR	—	—
AB	—	<u>24</u>	—	BR-V	—	—
BG	—	<u>50</u>	—	V-S	—	—
BB	—	<u>25</u>	—	S-V	—	—

Figure 2 - V-1109RTVA Connections to PABX Loop Start Trunk or Electronic Key System

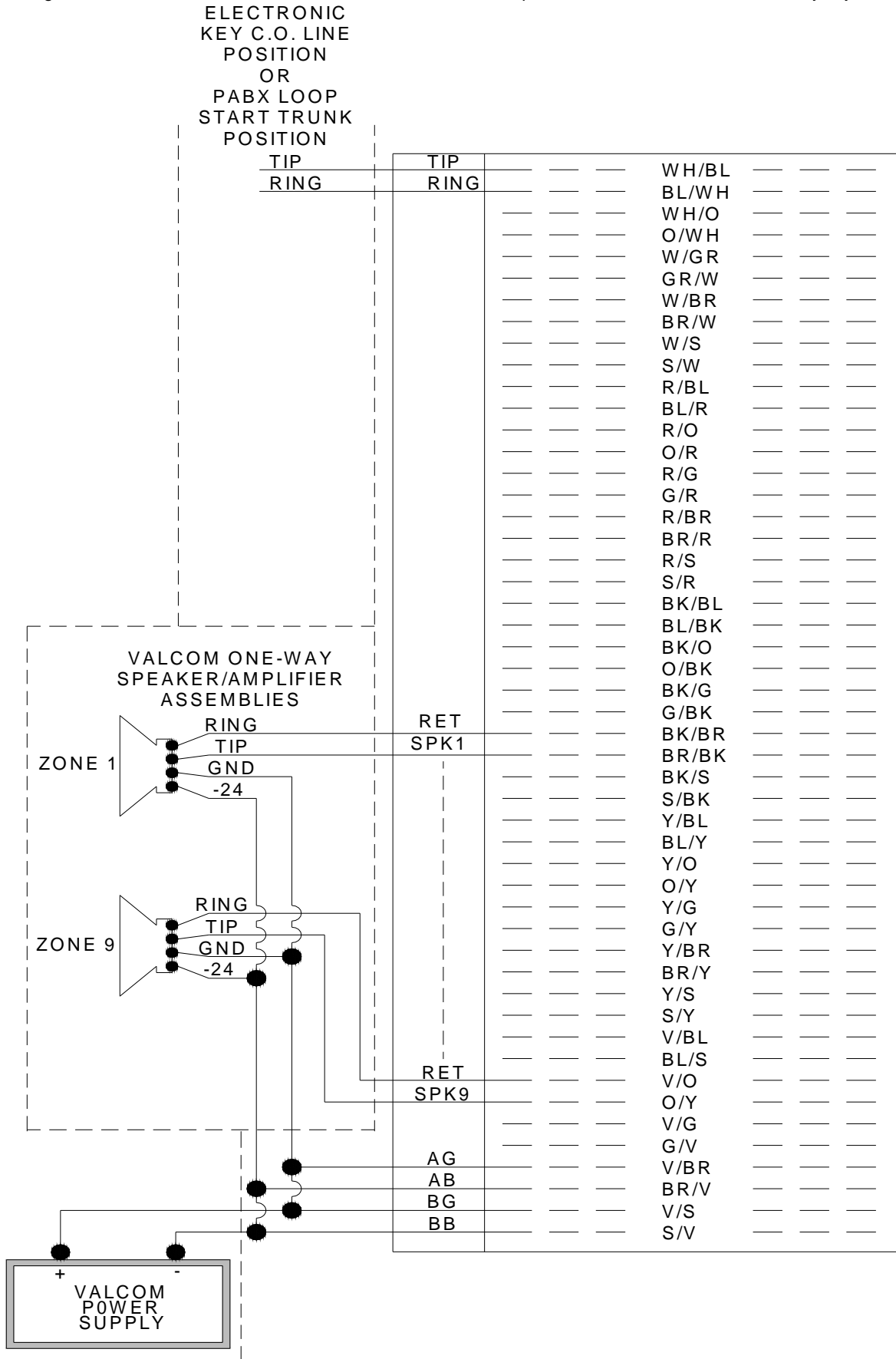
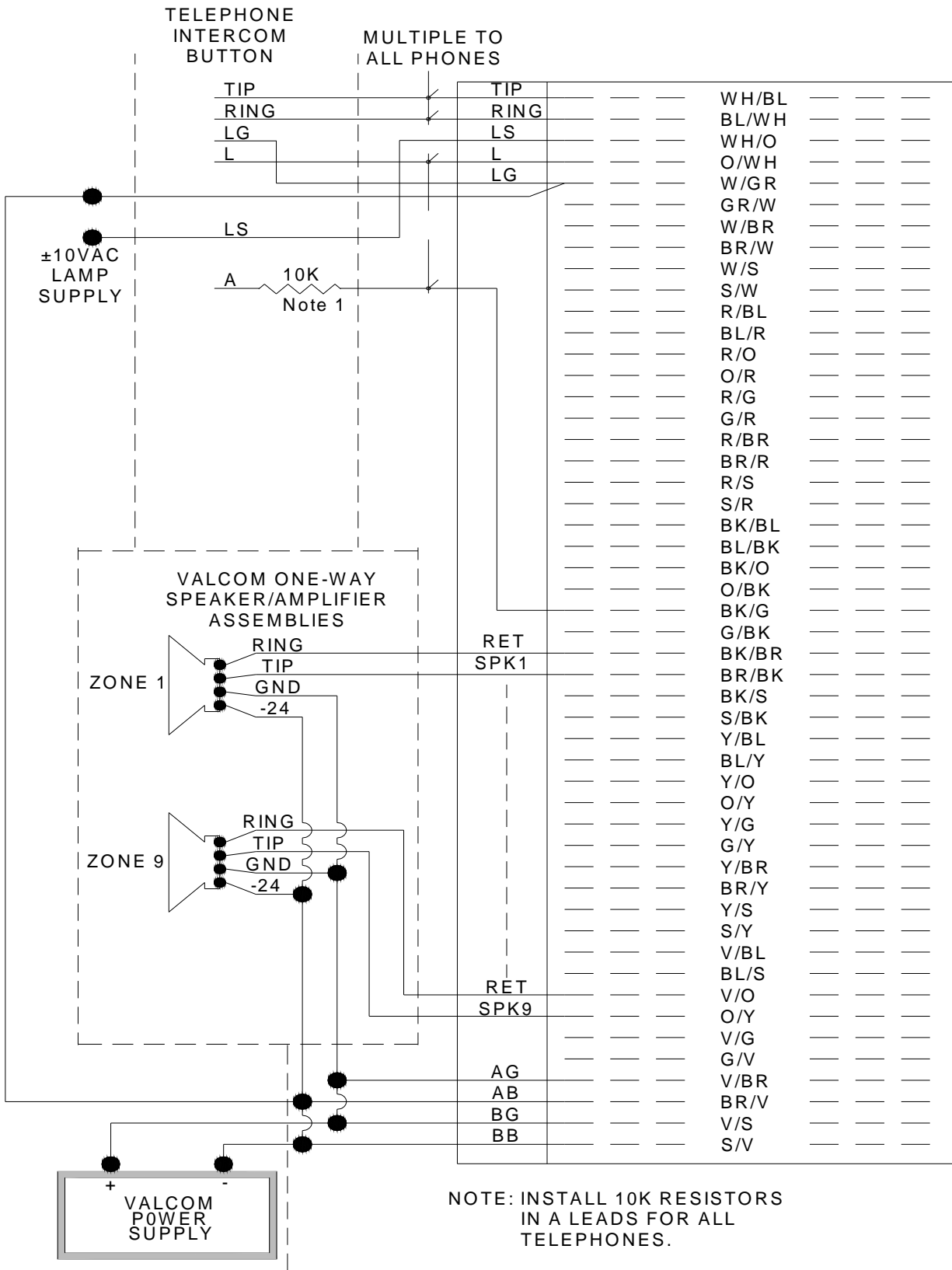
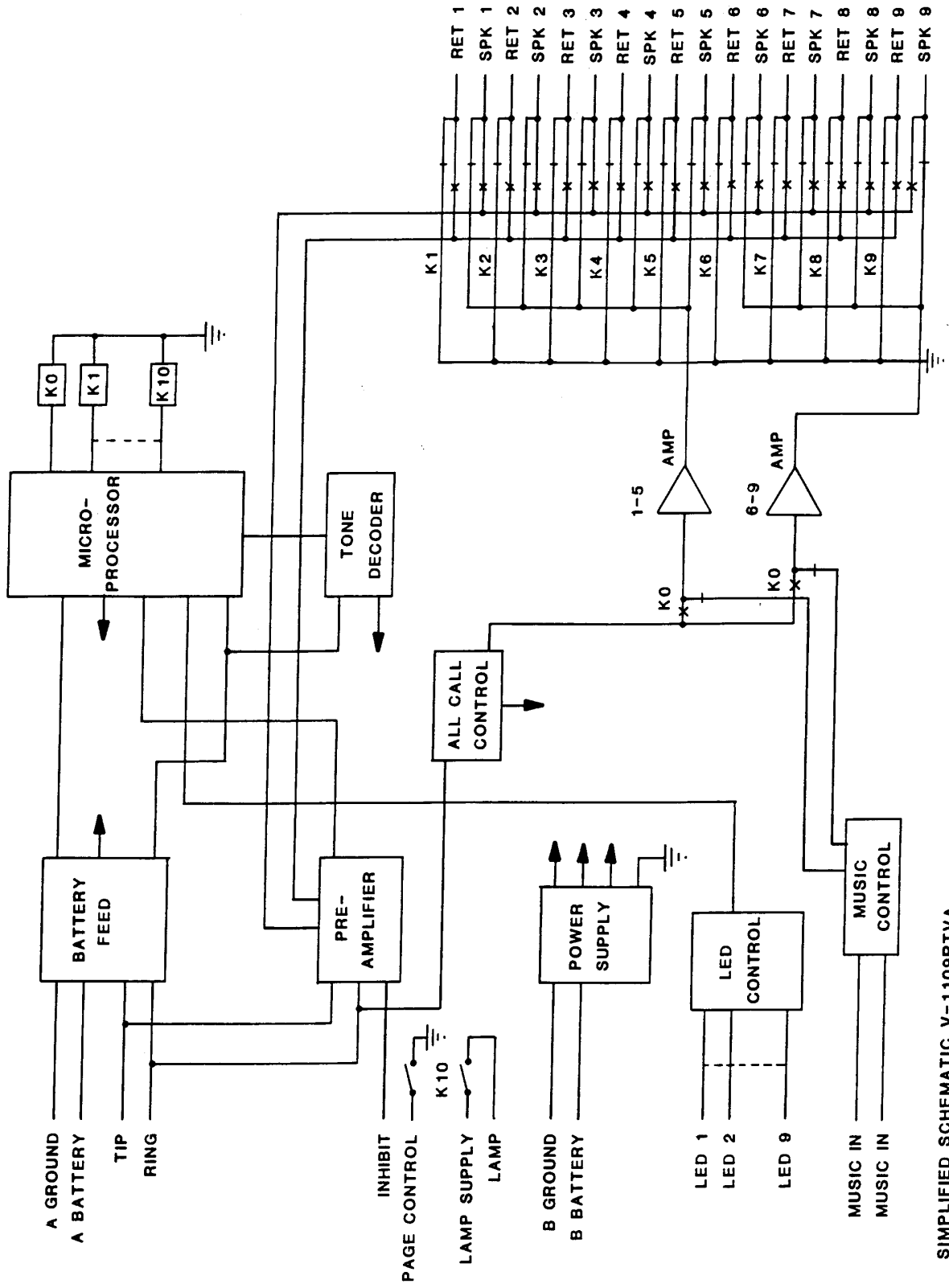


Figure 3 - 1A2 Key System Connections, Speaker Connections and Power Connections





SIMPLIFIED SCHEMATIC V-1109RTVA