

# V-9955 AUXILIARY RELAY UNIT

## INTRODUCTION

These instructions provide identification, installation, connection, operation, and maintenance information for the V-9955 Valcom Auxiliary Relay Unit.

## SPECIFICATIONS

### Applications

- Strobe Activation
- Door Control
- Camera Control

## Features

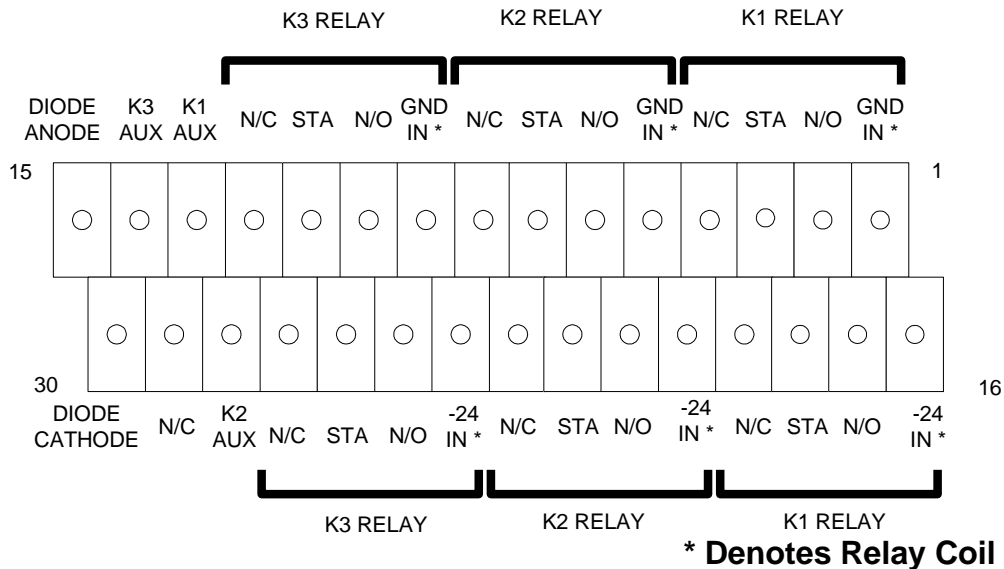
- Three 24 VDC 2 Pole Relays with 1 Amp Screw Terminals for all connections.
- Independent control or simultaneous operation of relays.

## Dimensions/Weight

- 7.10"H x 4.7"W x 2.10"D  
(18.03 cm H x 11.94 cm W x 5.33 cm D)  
0.70lbs. (32kg).

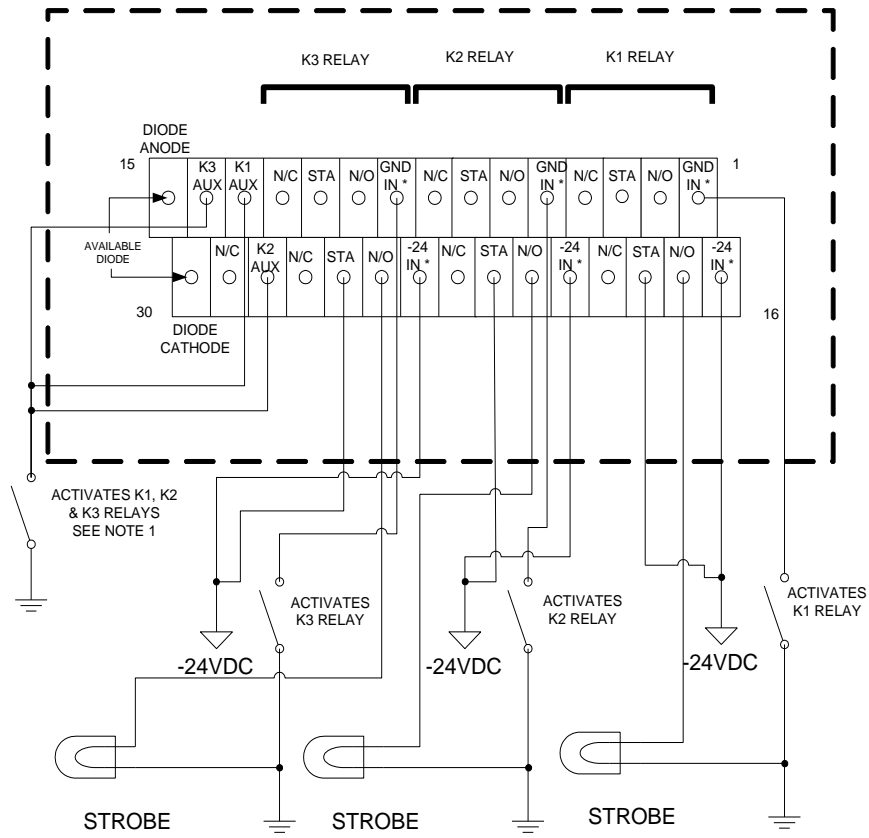
## Power Requirements

-21.5 to -26 VDC Battery, 20mA per relay coil.



## Terminal Designations

**Figure 1 Typical Connections for Strobe Light Control**



NOTE 1: A GROUND PLACED ON AUX 1, AUX 2 OR AUX 3 WILL ACTIVATE K1, K2 OR K3 RESPECTIVELY INDEPENDENT OF A GROUND PLACED DIRECTLY ON THE RELAY COIL GROUND TERMINAL.

**WARRANTY:**

Warranty information may be found on our website at [www.valcom.com/warranty](http://www.valcom.com/warranty).