

VIP-820 NETWORKED TRUNK PORT

INTRODUCTION

The VIP-820 networked trunk port allows an analog PBX Station Port to be connected to a managed IP-based Local Area Network (LAN) or Wide Area Network (WAN).

SPECIFICATIONS

Access Methods

- PBX Station port (FXS) with open loop disconnect signal provided

Features

- RJ-45 for network connection
- RJ-11 telephone connection
- Front panel activity LED
- Network activity LEDs on RJ-45
- 4 RENS
- 2.5mm jack for DC power (115VAC TO 24VDC adapter provided)

Dimensions/Weight

- 1.88" H x 5.50" W x 4.15" D
(4.78cm H x 13.97cm W x 10.54cm D)
- Weight: 0.55 lbs. (0.25 kg)

Nominal Specifications

Input Impedance:	600 Ohms
Input Level:	-10dBm
Output Impedance:	600 Ohms
Output Level:	- 10dBm nominal

Nominal Power Requirements

Voltage:	24VDC
Current:	325mA

Environment

Temperature:	0 to +40 Degrees C
Humidity:	0 to 85% non-precipitating

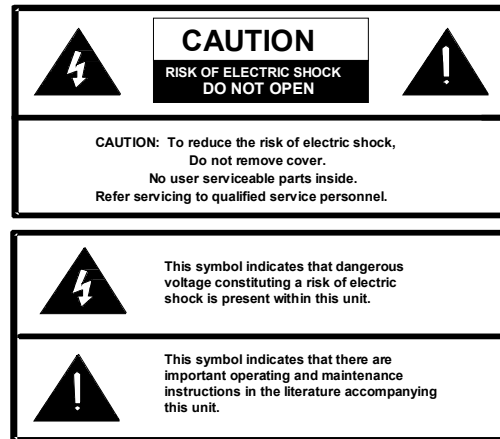
INSTALLATION

NOTE: The telephone system referred to in this manual is the customer premise equipment such as an electronic key system, a PBX or a dedicated single line telephone sets. The VIP-820 is not intended for direct or indirect connection to the public telephone network. When used with a customer premise telephone system such as a key system or PBX system, these units are interfaced to the system via a



fully protected Extension /Station Port (FXS) port, which is fully protected interface device. Also, the host system must be configured to disallow central office trunk conferencing in order to prevent indirect connection to the public network.

Precautionary Designations



Mounting

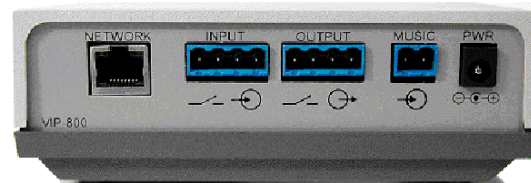
The VIP-820 was designed for wall or table mounting. Secure unit to wall studs or a suitable brace away from heat sources or strong magnetic fields (motors, fans, power supplies, etc.) with the control and terminal strip accessible. One wood screw is included for mounting.

Power Connections

NOTE: This equipment must be installed near an AC power outlet due to the power cord being used as a disconnect device.

- The VIP-820 is provided with a VP-324 for North American use.

After all required connections have been made, plug the VP-324 into appropriate AC wall outlet.



PABX Access

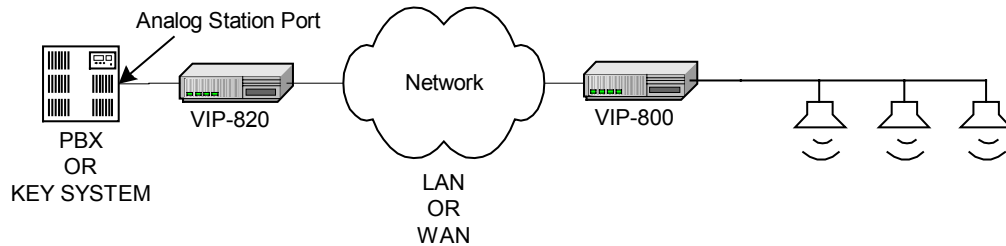
When using the VIP-820 with a PBX, the VIP-820 must connect to a station port.

Operation

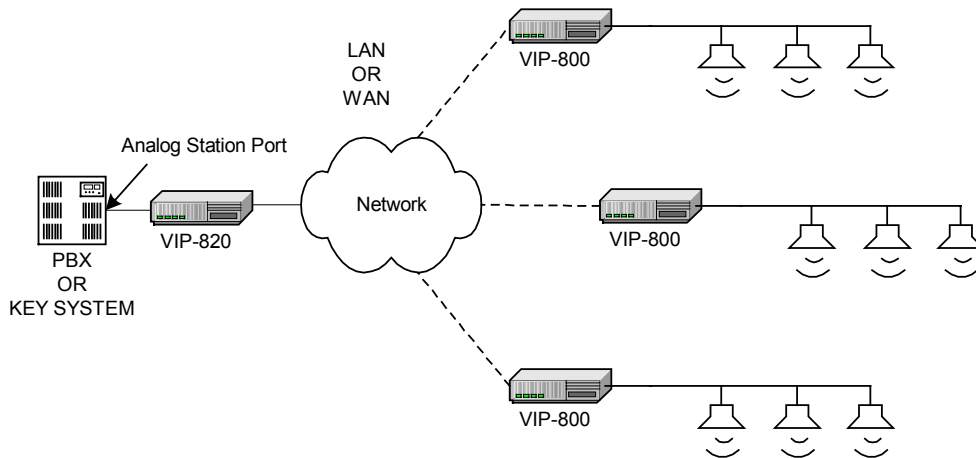
Dial the station access code (PBX) to connect to the VIP-820. The VIP-820 automatically disconnects signal must be provided by the PBX station port.

Application Examples

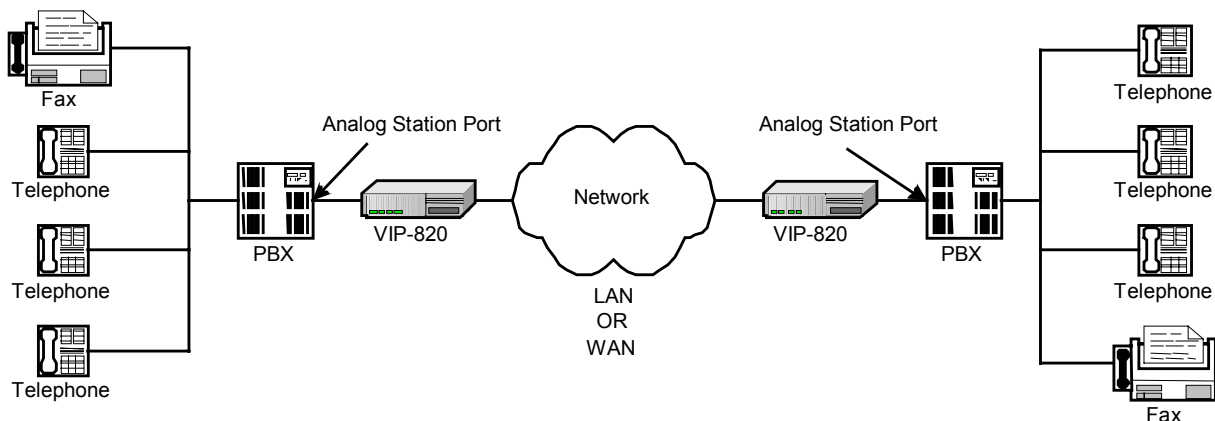
Use the VIP-820 with a PBX Analog Station Port (FXS) and a VIP-800 to interface the telephone system to Valcom powered speakers over a network. When the PBX station port is accessed, the VIP-820 will activate the VIP-800. When the VIP-820 sees an open loop disconnect signal from the PBX Station Port, the VIP-820 will release.



The VIP-820 Networked Trunk Port module can be used to create a multi-zone paging system from one Station Port of a PBX using existing corporate WAN. It provides up to 99 zones with two digit selection. When the VIP-820 sees an open loop disconnect signal from the PBX Station Port, the VIP-820 will release.



The VIP-820 Networked Trunk Port module makes it a snap to connect two or more PBX systems over the corporate WAN. It provides station to station PBX access, eliminating the need to use expensive trunk connections that are typically required by other competitive products. When the VIP-820 sees an open loop disconnect signal from the PBX Station Port, the VIP-820 will release.



TECHNICAL ASSISTANCE

When trouble is reported, verify power is being supplied to the unit and there are no broken connections. Check voltages for proper polarity to the one-way amplified speakers. Table 1 identifies symptoms of some possible problems with solutions. If a spare unit is available, substitute a spare unit for the suspected defective unit.

Assistance in troubleshooting is available from the factory. Call (540) 563-2000 and press 1 for Technical Support or via email at support@voip.valcom.com.

When requesting assistance, you should include all available information. It is strongly suggested that you go to the web site and follow the trouble resolution procedure at <http://voip.valcom.com>.

Valcom equipment is not field repairable. Valcom, Inc. maintains service facilities in Roanoke, VA. Should repairs be necessary, attach a tag to the unit clearly stating your company name, address, phone number, contact person and the nature of the problem. Send the unit to:

Valcom, Inc.
 Repair & Return Dept.
 5614 Hollins Road
 Roanoke, Va. 24019-5056

TABLE 1: TROUBLESHOOTING CHART

SYMPTOM	PROBABLE CAUSES AND SOLUTIONS
1. No output to speakers	A. Check for the presence of audio on the page outputs of the VIP-820 during a page using a test set. Refer to installation section for connection information. B. Check the DC voltage at the output of the VP-324. It should be 20 to 28VDC.
2. No music output	A. Using a test set, check for music on the music input terminals. B. Check that speakers are connected to page outputs.

VALCOM LIMITED WARRANTY

Valcom, Inc. warrants its products to be free from defects in materials and workmanship under conditions of normal use and service for a period of one year from the date of shipment. The obligation under this warranty shall be limited to the replacement, repair or refund of any such defective device within the warranty period, provided that:

1. inspection by Valcom, Inc. indicates the validity of the claim;
2. the defect is not the result of damage, misuse or negligence after the original shipment;
3. the product has not been altered in any way or repaired by others and that factory sealed units are unopened (a service charge plus parts and labor will be applied to units defaced or physically damaged);
4. freight charges for the return of products to Valcom are prepaid;
5. all units 'out of warranty' are subject to a service charge. The service charge will cover minor repairs (major repairs will be subject to additional charges for parts and labor).

This warranty is in lieu of and excludes all other warranties, expressed or implied, and in no event shall Valcom, Inc. be liable for any anticipated profits, consequential damages, loss of time or other losses incurred by the buyer in connection with the purchase, operation or use of the product.

This warranty specifically excludes damage incurred in shipment. In the event a product is received in damaged condition, the carrier should be notified immediately. Claims for such damage should be filed with the carrier involved in accordance with the F.O.B. point.