

Add Zones And Features To Existing 25/70 Volt Amplifier Systems

Use a Valcom Page Control Unit to enhance and enlarge your current system.

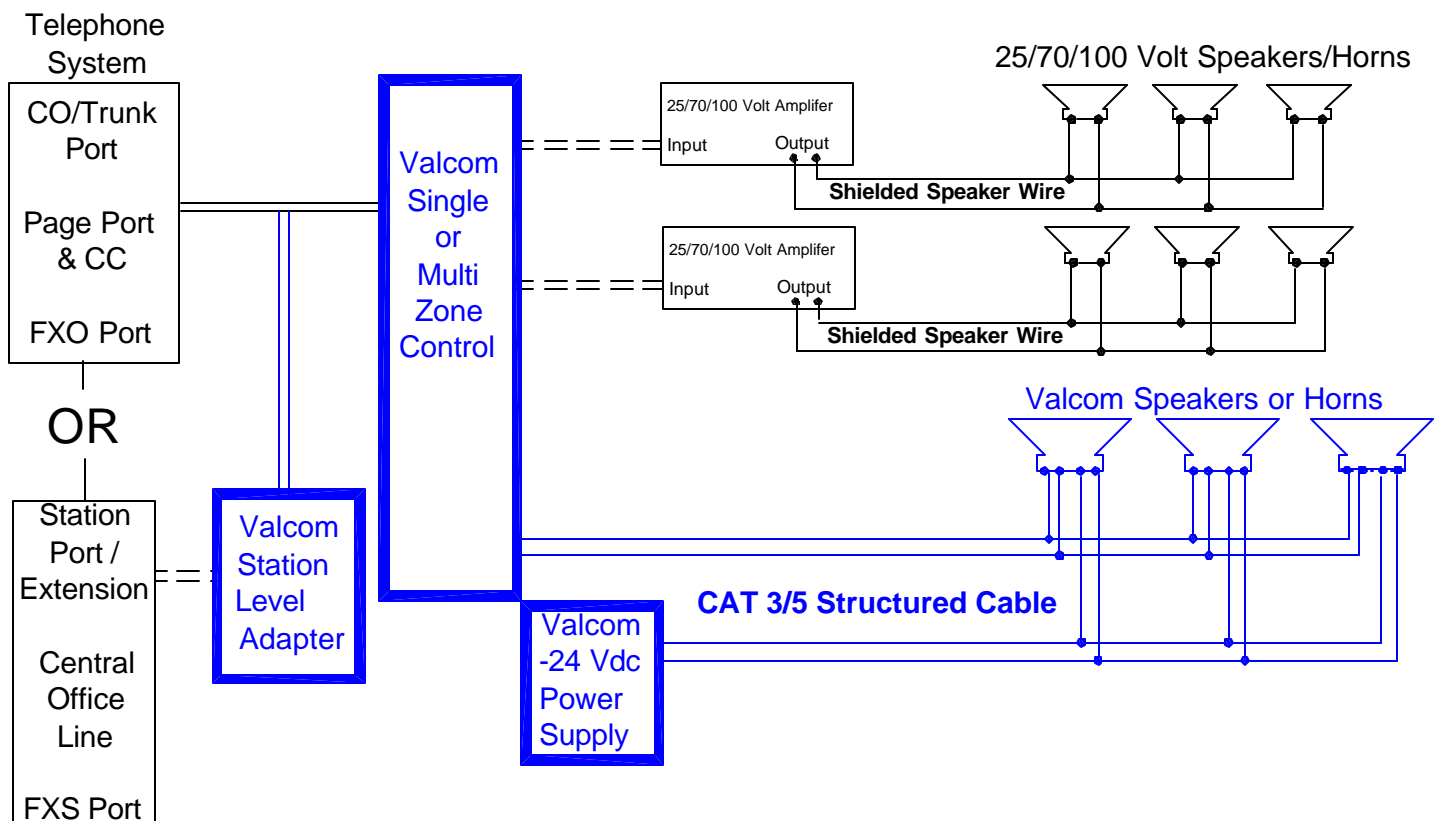
Valcom Page Control Units can be used to:

- Add special features - background music, night ringing, clock tones
- Add zones with Valcom speakers or multiple amps
- Allow page access from many types of phone system ports rationally Amplified Systems.

The addition of **features** such as background music, clock tones, and night ringing tones, to existing systems, are most common. These features are built into most Valcom Page Control.

Multiple amplifier systems can be configured into **multiple zones** by using Valcom Multi-Zone Page Control Units. This enables a customer to select the area to be paged instead of being forced to make an all call page throughout their entire facility.

Valcom has a variety of Page Control Units that can **interface with any telephone system**, or can access from a standard telephone without a phone system.



VALCOM

5614 Hollins Road
Roanoke, VA 24019
540-563-2000
support@valcom.com

T-PageControl>Amp