

## VIP-811A NETWORKED STATION PORT

### INTRODUCTION

The VIP-811A Networked Station Port allows most loop start terminal devices to be connected to a managed IP-based LAN/WAN.

### SPECIFICATIONS

#### Access Methods

- PBX, FXO Port
- POTS telephone set

#### Features

- RJ-45 for network connection
- 1 RJ-11 telephone connection
- 2 Relays with Form C contacts
- Front panel activity LED
- Network activity LEDs
- 1 REN
- Barrel jack for optional external power
- Power over Ethernet (PoE) 802.3af compatible

#### Dimensions/Weight

- 1.38" H x 6.13" W x 5.25" D  
(3.50cm H x 15.6cm W x 13.33cm D)
- Weight: 1.25 lbs. (0.57 kg)

#### Nominal Specifications

Input Impedance:	600 Ohms
Input Level:	-10dBm
Output Impedance:	600 Ohms
Output Level:	- 10dBm nominal
Relay Current:	1 AMP @ 24VDC

#### Nominal Power Requirements

##### Via rear panel barrel connector:

Voltage:	24VDC
Current:	325mA

##### Via 802.3af PoE Ethernet Switch:

802.3af:	Class 3
----------	---------



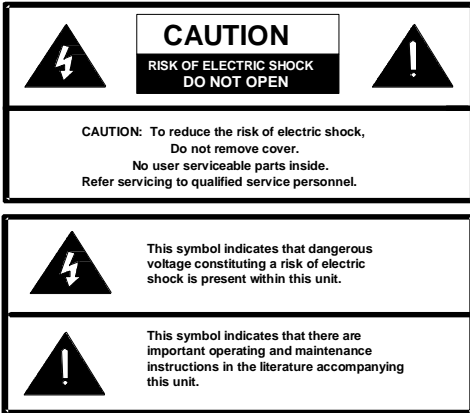
#### Environment

Temperature:	0 to +40° C
Humidity:	0 to 85% non-precipitating

### INSTALLATION

**NOTE:** The telephone system referred to in this manual is the customer premise equipment such as an electronic key system, a PBX or a dedicated single line telephone sets. The VIP-811A is not intended for direct or indirect connection to the public telephone network. When used with a customer premise telephone system such as a key system or PBX system, these units are interfaced to the system via a fully protected trunk port or system central office port, which is a fully protected interface device. Also, the host system must be configured to disallow central office trunk conferencing in order to prevent indirect connection to the public network.

## Precautionary Designations



## FCC Information

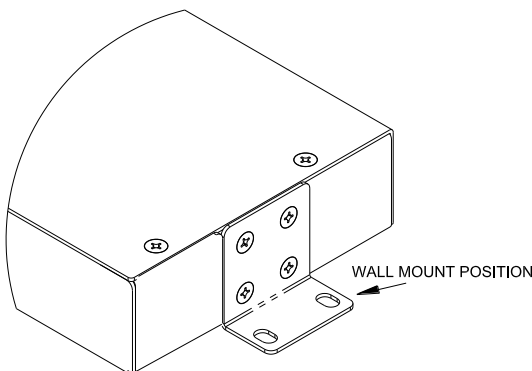
This equipment has been tested and found to comply with the limits for a Class A digital device, pursuant to Part 15 of the FCC Rules. These limits are designed to provide reasonable protection against harmful interference when the equipment is operated in a commercial environment. This equipment generates, uses and can radiate radio frequency energy and if not installed and used in accordance with the instruction manual, may cause harmful interference to radio communications. Operation of this equipment in a residential area may cause harmful interference in which case the user will be required to correct the interference at his own expense.

## Mounting

The VIP-811A is designed for wall or table mounting.

**Table:** Provided with the VIP-811A are four rubber pads. Peel the pads from their carrier backing and place at the four corners of the bottom of the unit.

**Wall:** Using the bracket and screws provided, secure the VIP-811A to the wall.



## Power Connections

The preferred method of powering a VIP-811A is via a power over Ethernet (PoE) switch meeting the 802.3af specification.

If the rear panel barrel connector is used for power, the preferred power supply is a Valcom VIP-324D.

Make all required signal connections before applying power to the unit. If powering via 802.3af, make sure all signal connections via the rear panel are made then connect the VIP-811A to the Ethernet switch.

If power is supplied via the barrel connector, make sure all signal connections are secure. Attach the unit to the network via the front panel RJ-45 Ethernet connector. Apply power by plugging the power supply in to the VIP-811A via the barrel connector on the rear of the VIP-811A.

## Network Connection

The VIP-811A has one RJ-45 network connector on the front panel.

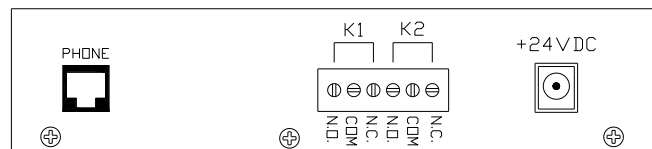
Use a standard Ethernet patch cable to connect the VIP-811A to an Ethernet switch. If the Ethernet switch is 802.3af compliant, the VIP-811A will draw power from it.

## Signal Connections

On the rear panel, the VIP-811A has 1 RJ-11 jack for telephone connection and 1 terminal block for relay connections.

**Telephone Connections:** Connect a standard analog telephone or PBX loop start trunk port to the VIP-811A via the rear panel RJ-11 jack labeled Phone. Tip and Ring appear on pins 3 and 4 of this jack.

**Relay Connections:** Access to the two form C relays is provided via a six pin screw terminal block. The relays are labeled K1 and K2. Each relay is brought out on three terminals. The common contact (COM) is the middle terminal with the normally closed (N.C.) contact on the right and the normally open (N.O.) contact on the left. Relay contacts are rated for 1A @ 24VDC.



Rear View

## Setup

Information specific to your application will need to be programmed into the VIP-811A using a computer. The PC used for programming should be connected to the same subnet as the VIP-811A.

Setup will be done using the IP Solutions Setup Tool. Download the latest version of the free IP Solutions Setup Tool from the Valcom website at [www.valcom.com/vipsetuptool](http://www.valcom.com/vipsetuptool).

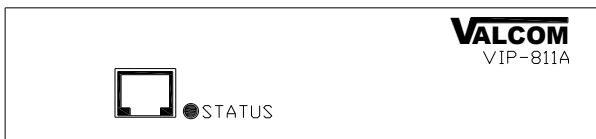
## Status Indicator Lights

The VIP-811A has 3 status indication lights on the front panel:

**STATUS:** Flashes during normal operation and solid during system startup.

**Green LED:** (Link) Indicates Ethernet connection when illuminated.

**Yellow LED:** (Activity) Indicator flashes to indicate network activity.



Front View

## TECHNICAL ASSISTANCE

When trouble is reported, verify power is being supplied to the unit and there are no broken connections. If a spare unit is available, substitute a spare unit for the suspected defective unit.

Assistance in troubleshooting is available from the factory. Call (540) 563-2000 and press 1 for Technical Support or via email at [support@valcom.com](mailto:support@valcom.com).

When requesting assistance, you should include all available information. General information and troubleshooting procedures are available on the Valcom website at [www.valcom.com](http://www.valcom.com).

Valcom equipment is not field repairable. Valcom, Inc. maintains service facilities in Roanoke, VA. Should repairs be necessary, attach a tag to the unit clearly stating your company name, address, phone number, contact person and the nature of the problem. Send the unit to:

**Valcom, Inc.**  
**Repair & Return Dept.**  
**5614 Hollins Road**  
**Roanoke, Va. 24019-5056**

### VALCOM LIMITED WARRANTY

Valcom, Inc. warrants its products only to the original purchaser, for its own use, to be free from defects in materials and workmanship under conditions of normal use and service for a period of one year from the date of shipment. This Limited Warranty obligation shall be limited to the replacement, repair or refund of any such defective device within the warranty period, provided that:

1. inspection by Valcom, Inc. indicates the validity of the claim;
2. the defect is not the result of damage, misuse or negligence after the original shipment;
3. the product has not been altered in any way or repaired by others and that factory sealed units are unopened (a service charge plus parts and labor will be applied to units defaced or physically damaged);
4. freight charges for the return of products to Valcom are prepaid;
5. all units 'out of warranty' are subject to a service charge. The service charge will cover minor repairs (major repairs will be subject to additional charges for parts and labor).

**This Limited Warranty is in lieu of and excludes all other warranties, expressed or implied and in no event shall Valcom, Inc. be liable for any anticipated profits, consequential damages, loss of time or other losses incurred by the buyer in connection with the purchase, operation, maintenance, installation, removal or use of the product. The maximum liability of Valcom under this warranty is limited to the purchase price of the specific Product covered by the warranty.**

**Disclaimer.** Except for the Limited Warranty provided herein, the product is provided "as-is" without any warranty of any kind whatsoever including, without limitation, any **WARRANTY OF MERCHANTABILITY, FITNESS FOR A PARTICULAR PURPOSE OR NON-INFRINGEMENT.**

This warranty specifically excludes damage incurred in shipment. In the event a product is received in damaged condition, the carrier should be notified immediately. Claims for such damage should be filed with the carrier involved in accordance with the F.O.B. point.

Headquarters:  
Valcom, Inc.  
5614 Hollins Road Roanoke, VA 24019-5056  
Phone: (540) 563-2000 FAX: (540) 362-9800