

TECHNICAL ASSISTANCE

When trouble is reported, verify there are no broken connections to the unit. Assistance in troubleshooting is available from the factory. When calling, you should have a VOM and a lineman's test set available and be calling from the job site. Call (540) 563-2000 and ask for Technical Support, or call (540) 767-1555 for Valcom 24-hour Faxback System or visit our website at <http://www.valcom.com>.

Valcom equipment is not field repairable. Valcom, Inc. maintains service facilities in Roanoke, VA. Should repairs be necessary, attach a tag to the unit clearly stating your company name, address, phone number, contact person, and the nature of the problem. Send the unit to:

**Valcom, Inc.
Repair and Return Dept.
5614 Hollins Road
Roanoke, VA 24019-5056**

VALCOM LIMITED WARRANTY

Valcom, Inc. warrants its products to be free from defects in materials and workmanship under conditions of normal use and service for a period of one year from the date of shipment. The obligation under this warranty shall be limited to the replacement, repair or refund of any such defective device within the warranty period, provided that:

1. inspection by Valcom, Inc. indicates the validity of the claim,
2. the defect is not the result of damage, misuse, or negligence after the original shipment,
3. the product has not been altered in any way or repaired by others and that factory sealed units are unopened (A service charge plus parts and labor will be applied to units defaced or physically damaged),
4. freight charges for the return of products to Valcom are prepaid,
5. all units 'out of warranty' are subject to a service charge. The service charge will cover minor repairs (Major repairs will be subject to additional charges for parts and labor).

This warranty is in lieu of and excludes all other warranties, expressed or implied, and in no event shall Valcom, Inc. be liable for any anticipated profits, consequential damages, loss of time or other losses incurred by the buyer in connection with the purchase, operation, or use of the product.

This warranty specifically excludes damage incurred in shipment. In the event a product is received in damaged condition, the carrier should be notified immediately. Claims for such damage should be filed with the carrier involved in accordance with the F.O.B. point.

Headquarters:
Valcom, Inc.
5614 Hollins Road
Roanoke, VA 24019-5056
Phone: (540) 563-2000
FAX: (540) 362-9800

In Canada:
CMX Corporation
35 Van Kirk Drive #11 and 12
Brampton, Ontario L7A1A5
Phone: (905) 456-1072
FAX: (905) 456-2269

INSTALLATION INSTRUCTIONS FOR



AMPLIFIED PENDANT SPEAKERS



MODEL NO. V-1015B

VALCOM ONE-WAY AMPLIFIED PENDANT SPEAKERS

Valcom Pendant Speaker, V-1015B (five-watt), is self-amplified and provides voice paging as well as background music. This speaker has an externally accessible volume control that can be adjusted by a screwdriver through the hole in the grille. It is weather-resistant and available in white, black, gray and custom colors.

Model V-1015B-W	White
Model V-1015B-BK	Black
Model V-1015B-GY	Gray

DIMENSIONS/WEIGHT

- 5.80" Dia. x 8.80"H (14.73cm Dia. x 22.35cm H)
- 3.2 lbs. (1.45kg)

The V-1015B requires -24VDC, 300mA (6 Power Units).

Note: To expand a 25/70/100 Volt system, add a V-1095 in line before connecting this speaker or damage to both the amplifier and speaker may occur.

INSTALLATION

The V-1015B Pendant Speaker is designed to be suspended from a ceiling using the enclosed chain. The chain is not attached to the ring at the top of the speaker to prevent damage to the speaker's finish during shipping. To install the chain, open the link on the end of the chain and loop the link through the ring located on the top of the speaker and close the link. Make sure the chain is securely fastened to the ceiling.

NOTE: An additional 6 feet length of chain is available. Order Part Number V-1093-BK.

The area covered by a pendant speaker is determined by the suspended height of the speaker.

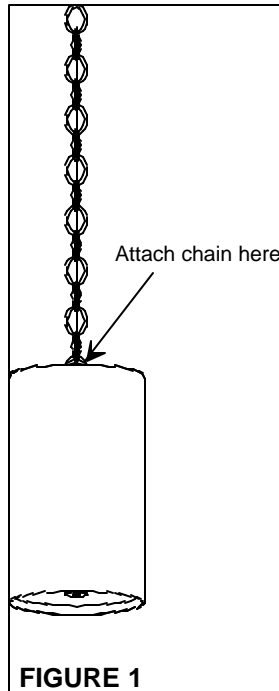


FIGURE 1

Suspended Height	8	10	12	16	20
Spacing	16	20	25	30	35
Approximate Coverage	250	350	500	800	1000

CONNECTIONS

Note: The cable is for electrical connections only. Under no circumstances should the speaker be suspended from this cable.

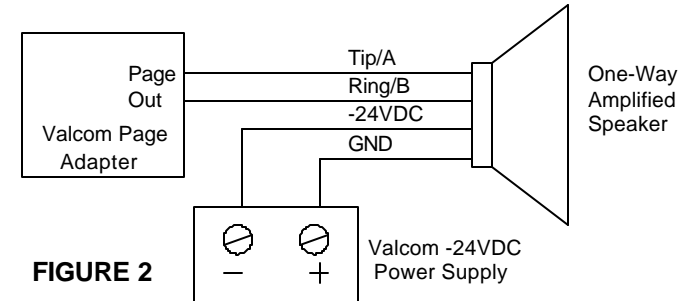


FIGURE 2

Recommended Quantity of Speakers per Specific Power Run

Speakers per Power Run	Wire Run Length (Feet)	
	24 AWG	22 AWG
V-1015B		
2	250	400
1	500	800
0	1000	1600

TROUBLESHOOTING CHART

SYMPTOMS	ACTIONS
No audio from speaker	<ol style="list-style-type: none"> 1. Verify volume control is turned up (clockwise). 2. Using a lineman's test set, check for proper audio level on Tip and Ring leads and if necessary at the source.
Low volume from speaker	<ol style="list-style-type: none"> 1. Verify volume control is turned up. 2. Check voltage at the speaker when in use, (-18 to -24VDC required). 3. Using a lineman's test set, check for proper audio level on Tip and Ring leads. It is possible that some low level audio will be heard with only one side of Tip and Ring connected.
Loud squeal (feedback)	<ol style="list-style-type: none"> 1. Decrease volume of speaker (counterclockwise). 2. Increase the distance between telephone and speaker. 3. Install confidencer on the telephone in severe problem areas.