

## V-1038

# PAGING HORN/AMPLIFIER ASSEMBLY

## 30 WATT -48VDC WITH VOLUME CONTROL

### INTRODUCTION

This instruction provides identification, installation and technical assistance information for the V-1038 Horn/Amplifier Assembly.

This paging unit has received a FCC type KX registration and is designed to be used with FCC registered key telephone systems. In accordance with FCC rules with applicable tariffs, this Paging Unit may only be installed with the authorization of the host system. Installations may be made by Valcom, Inc., an authorized agent of the same, equipment manufacturers, telephone companies, registered telephone refurbishers and those qualified for installation of FCC registered systems under FCC Rules Section 68.215. The FCC Registration Number, BAF9I7-69358-KX-N, will be listed in the affidavits filed with the Telephone Company; it will also be recorded in the system log kept by installation and maintenance personnel.

### DESCRIPTION

The V-1038 Paging Horn/Amplifier Assembly is a self-contained 30 Watt paging system incorporating:

- (a) 30 Watt amplifier
- (b) Volume control
- (c) High efficiency horn

### Dimensions/Weight

- 7.68" H x 12.25" W x 11.62" D  
(19.53cm H x 31.12cm W x 29.53cm D)
- 4.1 lbs. (1.86kg)

### Nominal Specifications:

Input impedance:	600 Ohms minimum
Input level:	10dBm nominal
Current at -48VDC:	1 Amp

### Connections:

Green	Tip	Audio Source
Red	Ring	Audio Source
White	-48VDC	Power
Black	Ground	Power

The volume control is factory pre-set approximately



Due to the low-level signal required, distribution wiring is normally accomplished through house cable pair or station wire.

### Typical applications include:

- (a) Use with a Valcom page control.
- (b) Expanding the capability of telephone systems which contain limited paging capabilities.
- (c) Loud ringer application in systems where loud speaker tone signaling is employed.

### INSTALLATION

This horn may be used for either interior or exterior paging applications and should be installed 16 to 40 feet from the floor taking into account installation and maintenance access.

Connect station wire (or other suitable pairs) to the proper speaker connection. When using station wire, limit the maximum run to 250 feet. Two horns may be connected to the same pairs if the total run is less than 125 feet.

When a remote power unit is used, the audio pair run should be limited to 5000 feet and a maximum of 6 horns.

mid-way. As the system is put in operation, the

individual volume controls may be readjusted as necessary.

By loosening the knob on the base approximately four turns, the horn may be rotated or moved up and down to obtain the desired position.

### TECHNICAL ASSISTANCE

When trouble is reported, verify that power is being supplied to the unit and there are no broken connections. Check voltages for proper polarity on the crossconnect block.

Assistance in troubleshooting is available from the factory. When calling, you should have a VOM, a telephone test set, and several clip leads available and be calling from the job site. Call (540) 563-2000 and press 1 for Technical Support, or visit our website at

<http://www.valcom.com>.

Valcom equipment is not field repairable. Valcom, Inc. maintains service facilities in Roanoke, VA. Should repairs be necessary, attach a tag to the unit clearly stating company name, address, phone number, contact person and the nature of the problem.

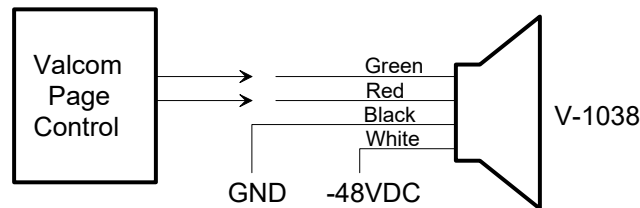
Send the unit to:

**Valcom, Inc.**  
**Repair and Return Dept.**  
**5614 Hollins Road**  
**Roanoke, VA 24019-5056**

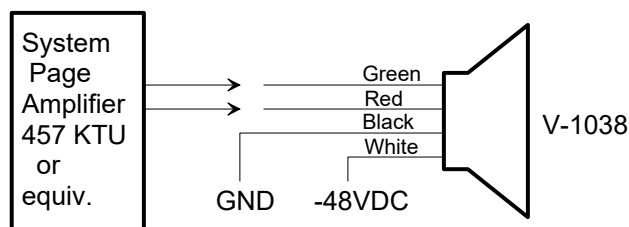
### WARRANTY

Warranty information may be found on our website at [www.valcom.com/warranty](http://www.valcom.com/warranty).

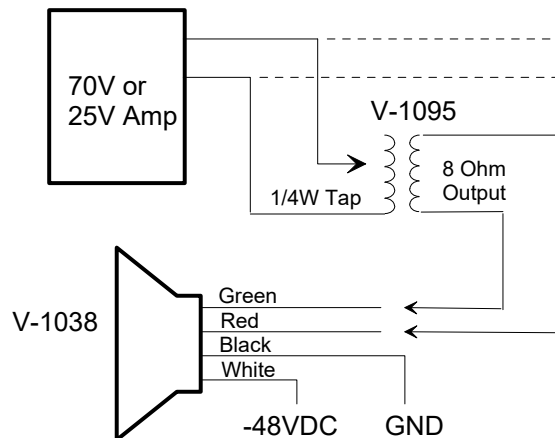
Used in conjunction with the Valcom Page Control



Used to expand loudspeaker paging capabilities



Used to expand existing 70 volt paging systems



### **TROUBLESHOOTING CHART**

<b>PROBLEMS</b>	<b>PROBABLE CAUSES AND CORRECTIONS</b>
No Sound	<ol style="list-style-type: none"><li>1. Check that volume control is turned up.</li><li>2. Check presence of -48VDC and GND.</li><li>3. Make sure the WHT wire is connected to -48VDC.</li><li>4. Using a lineman's test set, check for the proper audio level on the T &amp; R leads, and if necessary also at the source.</li></ol>
Low Volume	<ol style="list-style-type: none"><li>1. Check that volume control is turned up.</li><li>2. Check voltage at the horn when in use: -40 to -50 Volts required.</li><li>3. Using a lineman's test set, check for the proper audio level on the T &amp; R leads - it is possible that some sound will be heard with only one side of Tip and Ring.</li></ol>
Loud Squeal (feedback)	<ol style="list-style-type: none"><li>1. Lower volume of speaker.</li><li>2. Aim horn in different direction.</li><li>3. Move horn to location further from phone.</li><li>4. Install confidencer on phone in severe problem area.</li></ol>