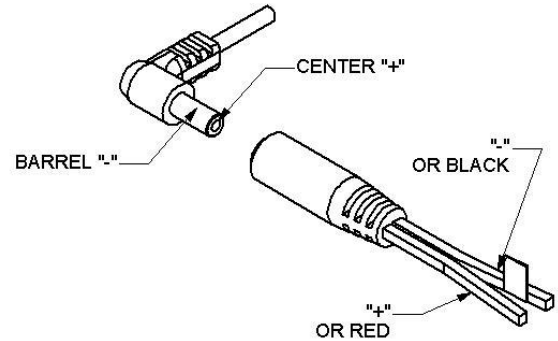


## VP-324D 24VDC POWER SUPPLY

The VP-324D is a regulated filtered Power Supply which provides 24VDC 300mA. The output is floating and short circuit protected. Indoor use only.

- INPUT: 115V, 60HZ, 0.11A  
AC Apparent Power 13VA  
Level VI efficiency
- OUTPUT: 24VDC 300mA  
5.5mm x 2.5mm Connector  
Center Positive



Technical Assistance (540)563-2000  
or [www.valcom.com](http://www.valcom.com).

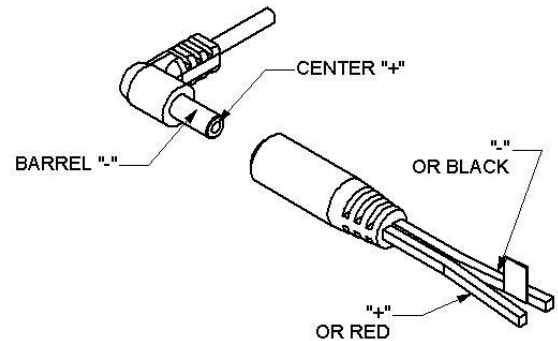
Issue 3

947324-D

## VP-324D 24VDC POWER SUPPLY

The VP-324D is a regulated filtered Power Supply which provides 24VDC 300mA. The output is floating and short circuit protected. Indoor use only.

- INPUT: 115V, 60HZ, 0.11A  
AC Apparent Power 13VA  
Level VI efficiency
- OUTPUT: 24VDC 300mA  
5.5mm x 2.5mm Connector  
Center Positive



Technical Assistance (540)563-2000  
or [www.valcom.com](http://www.valcom.com).

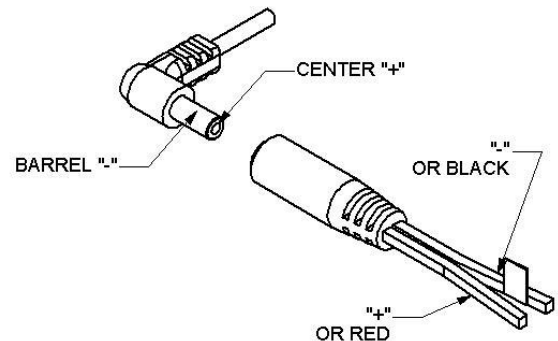
Issue 3

947324-D

## VP-324D 24VDC POWER SUPPLY

The VP-324D is a regulated filtered Power Supply which provides 24VDC 300mA. The output is floating and short circuit protected. Indoor use only.

- INPUT: 115V, 60HZ, 0.11A  
AC Apparent Power 13VA  
Level VI efficiency
- OUTPUT: 24VDC 300mA  
5.5mm x 2.5mm Connector  
Center Positive



Technical Assistance (540)563-2000  
or [www.valcom.com](http://www.valcom.com).

Issue 3

947324-D